
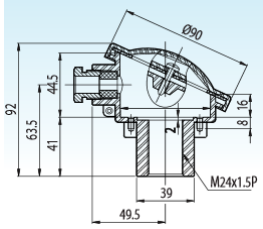

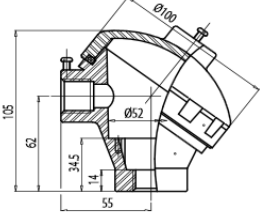

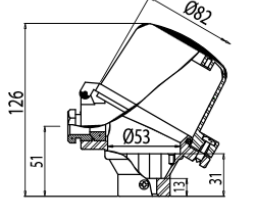

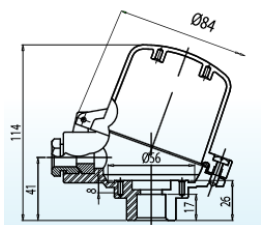



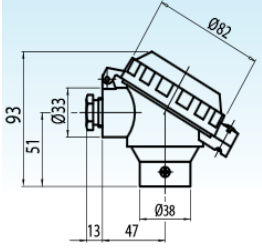

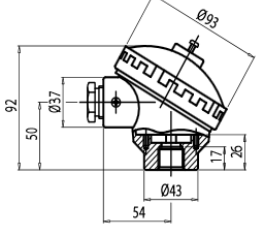

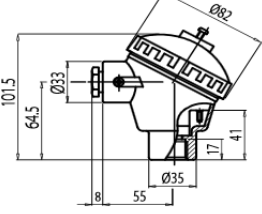

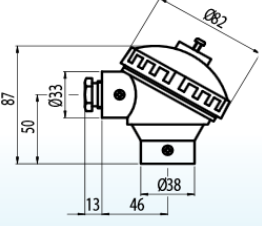
Tête de raccordement


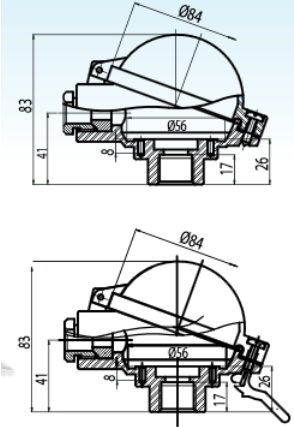

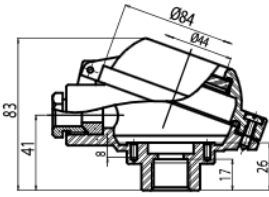

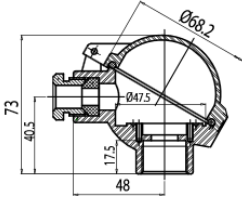

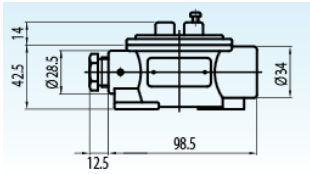
Ref : 2811


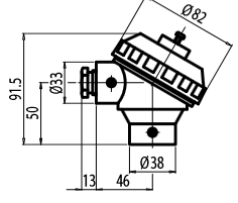

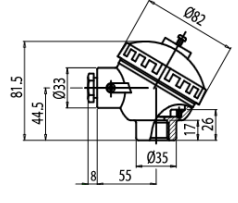

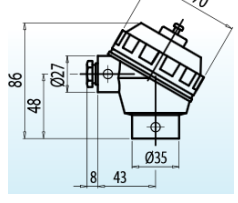

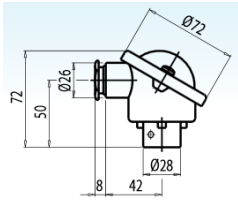

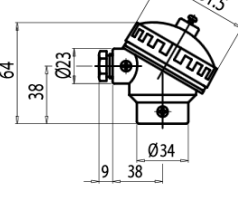
Rev :


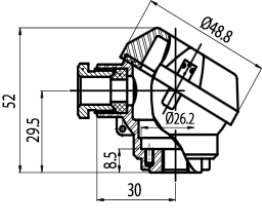

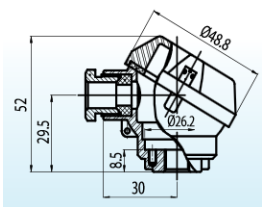

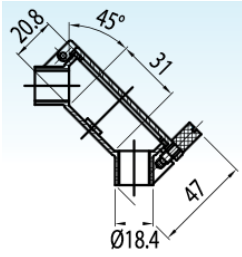

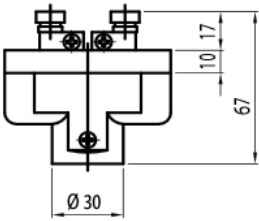

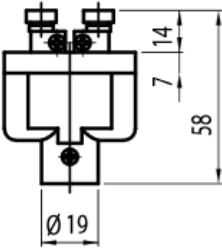
Tête en aluminium

Tête en aluminium																													
<p>CIS – DINA</p> 		<table border="1"> <thead> <tr> <th>Part No.</th> <th>PE</th> <th>CE</th> </tr> </thead> <tbody> <tr> <td>CIS-DINA</td> <td>1/2" BSP</td> <td>M20x1.5</td> </tr> <tr> <td>CIS-DINA-15.3</td> <td>15.3mm</td> <td>M20x1.5</td> </tr> <tr> <td>CIS-DINA-21.3</td> <td>21.3mm</td> <td>M20x1.5</td> </tr> <tr> <td>CIS-DINA-22.5</td> <td>22.5mm</td> <td>M20x1.5</td> </tr> <tr> <td>CIS-DINA22.5-PG16</td> <td>22.5mm</td> <td>PG16</td> </tr> <tr> <td>CIS-DINA-32.5</td> <td>32.5mm</td> <td>M20x1.5</td> </tr> <tr> <td>CIS-DINA-M24</td> <td>M24x1.5</td> <td>M20x1.5</td> </tr> <tr> <td>CIS-DINA-INT</td> <td>9mm</td> <td>M20x1.5</td> </tr> </tbody> </table> <p>46mm IP68 480°C</p>	Part No.	PE	CE	CIS-DINA	1/2" BSP	M20x1.5	CIS-DINA-15.3	15.3mm	M20x1.5	CIS-DINA-21.3	21.3mm	M20x1.5	CIS-DINA-22.5	22.5mm	M20x1.5	CIS-DINA22.5-PG16	22.5mm	PG16	CIS-DINA-32.5	32.5mm	M20x1.5	CIS-DINA-M24	M24x1.5	M20x1.5	CIS-DINA-INT	9mm	M20x1.5
Part No.	PE	CE																											
CIS-DINA	1/2" BSP	M20x1.5																											
CIS-DINA-15.3	15.3mm	M20x1.5																											
CIS-DINA-21.3	21.3mm	M20x1.5																											
CIS-DINA-22.5	22.5mm	M20x1.5																											
CIS-DINA22.5-PG16	22.5mm	PG16																											
CIS-DINA-32.5	32.5mm	M20x1.5																											
CIS-DINA-M24	M24x1.5	M20x1.5																											
CIS-DINA-INT	9mm	M20x1.5																											
<p>CIS – YCE</p> 		<table border="1"> <thead> <tr> <th>Part No.</th> <th>PE</th> <th>CE</th> </tr> </thead> <tbody> <tr> <td>CIS-YCE</td> <td>1/2" BSP</td> <td>M20x1.5</td> </tr> <tr> <td>CIS-YCE-M24</td> <td>M24x1.5</td> <td>M20x1.5</td> </tr> <tr> <td>CIS-YCE-NPT</td> <td>1/2" Npt</td> <td>M20x1.5</td> </tr> </tbody> </table> <p>33mm 40mm 480°C</p>	Part No.	PE	CE	CIS-YCE	1/2" BSP	M20x1.5	CIS-YCE-M24	M24x1.5	M20x1.5	CIS-YCE-NPT	1/2" Npt	M20x1.5															
Part No.	PE	CE																											
CIS-YCE	1/2" BSP	M20x1.5																											
CIS-YCE-M24	M24x1.5	M20x1.5																											
CIS-YCE-NPT	1/2" Npt	M20x1.5																											
<p>CIS-KNH(S)</p> 		<table border="1"> <thead> <tr> <th>Part No.</th> <th>PE</th> <th>CE</th> </tr> </thead> <tbody> <tr> <td>CIS-KNH-S</td> <td>1/2" BSP</td> <td>M20x1.5</td> </tr> <tr> <td>CIS-KNH-M24-S</td> <td>M24x1.5</td> <td>M20x1.5</td> </tr> <tr> <td>CIS-YCE-NPT</td> <td>1/2" Npt</td> <td>M20x1.5</td> </tr> </tbody> </table> <p>33mm 40mm IP68 480°C</p>	Part No.	PE	CE	CIS-KNH-S	1/2" BSP	M20x1.5	CIS-KNH-M24-S	M24x1.5	M20x1.5	CIS-YCE-NPT	1/2" Npt	M20x1.5															
Part No.	PE	CE																											
CIS-KNH-S	1/2" BSP	M20x1.5																											
CIS-KNH-M24-S	M24x1.5	M20x1.5																											
CIS-YCE-NPT	1/2" Npt	M20x1.5																											
<p>CIS-BUZH-H</p> 		<table border="1"> <thead> <tr> <th>Part No.</th> <th>PE</th> <th>CE</th> </tr> </thead> <tbody> <tr> <td>CIS-BUZH-S</td> <td>1/2" BSP</td> <td>M20x1.5</td> </tr> <tr> <td>CIS-BUZH-S-M24-S</td> <td>M24x1.5</td> <td>M20x1.5</td> </tr> <tr> <td>CIS-BUZH-S-NPT</td> <td>1/2" NPT</td> <td>M20x1.5</td> </tr> <tr> <td>CIS-BUZH-S-22.5</td> <td>22.5mm</td> <td>M20x1.5</td> </tr> <tr> <td>CIS-BUZH-M24-12NPT</td> <td>M24x1.5</td> <td>1/2" NPT</td> </tr> </tbody> </table>	Part No.	PE	CE	CIS-BUZH-S	1/2" BSP	M20x1.5	CIS-BUZH-S-M24-S	M24x1.5	M20x1.5	CIS-BUZH-S-NPT	1/2" NPT	M20x1.5	CIS-BUZH-S-22.5	22.5mm	M20x1.5	CIS-BUZH-M24-12NPT	M24x1.5	1/2" NPT									
Part No.	PE	CE																											
CIS-BUZH-S	1/2" BSP	M20x1.5																											
CIS-BUZH-S-M24-S	M24x1.5	M20x1.5																											
CIS-BUZH-S-NPT	1/2" NPT	M20x1.5																											
CIS-BUZH-S-22.5	22.5mm	M20x1.5																											
CIS-BUZH-M24-12NPT	M24x1.5	1/2" NPT																											


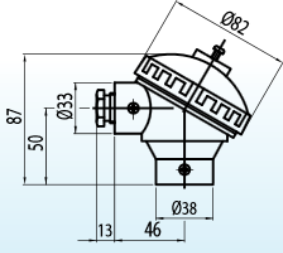

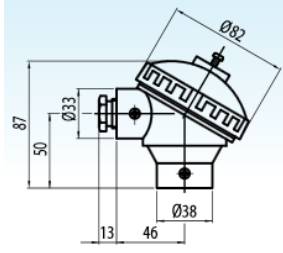

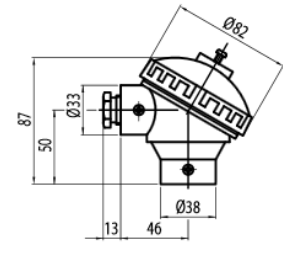

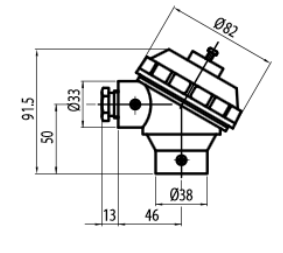

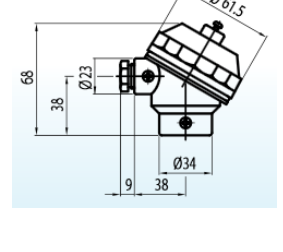

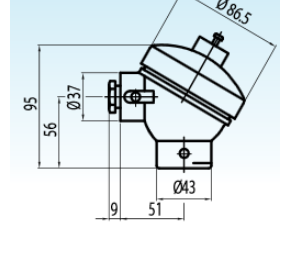
<p>CIS-KNP(S)</p> 		<p>33mm 40mm IP68 480°C</p> <table border="1"> <thead> <tr> <th>Part No.</th> <th>PE</th> <th>CE</th> </tr> </thead> <tbody> <tr> <td>CIS-KNP-S</td> <td>1/2" BSP</td> <td>M20x1.5</td> </tr> <tr> <td>CIS-KNP-S-34</td> <td>3/4" BSP</td> <td>M20x1.5</td> </tr> </tbody> </table> <p>33mm 40mm IP68 480°C</p>	Part No.	PE	CE	CIS-KNP-S	1/2" BSP	M20x1.5	CIS-KNP-S-34	3/4" BSP	M20x1.5																																	
Part No.	PE	CE																																										
CIS-KNP-S	1/2" BSP	M20x1.5																																										
CIS-KNP-S-34	3/4" BSP	M20x1.5																																										
<p>CIS-KNG</p> 		<table border="1"> <thead> <tr> <th>Part No.</th> <th>PE</th> <th>CE</th> </tr> </thead> <tbody> <tr> <td>CIS-KNG-S</td> <td>1/2" BSP</td> <td>M20x1.5</td> </tr> <tr> <td>CIS-KNG-34</td> <td>3/4" BSP</td> <td>M20x1.5</td> </tr> </tbody> </table> <p>33mm 40mm IP68 480°C</p>	Part No.	PE	CE	CIS-KNG-S	1/2" BSP	M20x1.5	CIS-KNG-34	3/4" BSP	M20x1.5																																	
Part No.	PE	CE																																										
CIS-KNG-S	1/2" BSP	M20x1.5																																										
CIS-KNG-34	3/4" BSP	M20x1.5																																										
<p>CIS-KNL-E</p> 		<table border="1"> <thead> <tr> <th>Part No.</th> <th>PE</th> <th>CE</th> </tr> </thead> <tbody> <tr> <td>CIS-KNL-E</td> <td>1/2" BSP</td> <td>M20x1.5</td> </tr> </tbody> </table> <p>33mm 40mm IP68 480°C</p>	Part No.	PE	CE	CIS-KNL-E	1/2" BSP	M20x1.5																																				
Part No.	PE	CE																																										
CIS-KNL-E	1/2" BSP	M20x1.5																																										
<p>CIS-KNE</p> 		<table border="1"> <thead> <tr> <th>Part No.</th> <th>PE</th> <th>CE</th> </tr> </thead> <tbody> <tr> <td>CIS-KNE</td> <td>1/2" BSP</td> <td>M20x1.5</td> </tr> <tr> <td>CIS-KNE-LC</td> <td>1/2" BSP</td> <td>1/2" BSP</td> </tr> <tr> <td>CIS-KNE-34</td> <td>3/4" BSP</td> <td>M20x1.5</td> </tr> <tr> <td>CIS-KNE-58</td> <td>5/8" bore</td> <td>M20x1.5</td> </tr> <tr> <td>CIS-KNE-78</td> <td>7/8" bore</td> <td>M20x1.5</td> </tr> <tr> <td>CIS-KNE-M20</td> <td>M20x1.5</td> <td>M20x1.5</td> </tr> <tr> <td>CIS-KNE-NPT</td> <td>1/2" NPT</td> <td>1/2" NPT</td> </tr> <tr> <td>CIS-KNE-M24</td> <td>M24x1.5</td> <td>M20x1.5</td> </tr> <tr> <td>CIS-LNE-1</td> <td>1" bore</td> <td>M20x1.5</td> </tr> <tr> <td>CIS-KNE-NPTM20</td> <td>1/2" NPT</td> <td>M20x1.5</td> </tr> <tr> <td>CIS-KNE-EPOXY</td> <td>1/2" BSP</td> <td>M20x1.5</td> </tr> <tr> <td>CIS-KNE-12-M25</td> <td>1/2" BSP</td> <td>M25x1.5</td> </tr> <tr> <td>CIS-KNE-BLEU</td> <td>1/2" BSP</td> <td>M20x1.5</td> </tr> </tbody> </table> <p>33mm 40mm IP68 480°C</p>	Part No.	PE	CE	CIS-KNE	1/2" BSP	M20x1.5	CIS-KNE-LC	1/2" BSP	1/2" BSP	CIS-KNE-34	3/4" BSP	M20x1.5	CIS-KNE-58	5/8" bore	M20x1.5	CIS-KNE-78	7/8" bore	M20x1.5	CIS-KNE-M20	M20x1.5	M20x1.5	CIS-KNE-NPT	1/2" NPT	1/2" NPT	CIS-KNE-M24	M24x1.5	M20x1.5	CIS-LNE-1	1" bore	M20x1.5	CIS-KNE-NPTM20	1/2" NPT	M20x1.5	CIS-KNE-EPOXY	1/2" BSP	M20x1.5	CIS-KNE-12-M25	1/2" BSP	M25x1.5	CIS-KNE-BLEU	1/2" BSP	M20x1.5
Part No.	PE	CE																																										
CIS-KNE	1/2" BSP	M20x1.5																																										
CIS-KNE-LC	1/2" BSP	1/2" BSP																																										
CIS-KNE-34	3/4" BSP	M20x1.5																																										
CIS-KNE-58	5/8" bore	M20x1.5																																										
CIS-KNE-78	7/8" bore	M20x1.5																																										
CIS-KNE-M20	M20x1.5	M20x1.5																																										
CIS-KNE-NPT	1/2" NPT	1/2" NPT																																										
CIS-KNE-M24	M24x1.5	M20x1.5																																										
CIS-LNE-1	1" bore	M20x1.5																																										
CIS-KNE-NPTM20	1/2" NPT	M20x1.5																																										
CIS-KNE-EPOXY	1/2" BSP	M20x1.5																																										
CIS-KNE-12-M25	1/2" BSP	M25x1.5																																										
CIS-KNE-BLEU	1/2" BSP	M20x1.5																																										


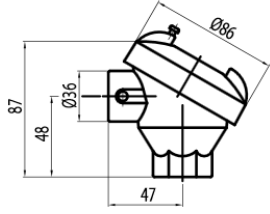

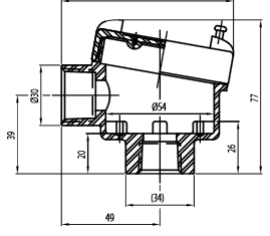

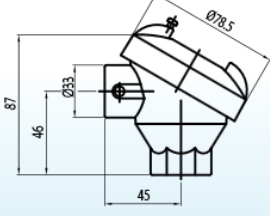
<p>CIS-BUZ</p> 		<table border="1"> <thead> <tr> <th>Part No.</th> <th>PE</th> <th>CE</th> </tr> </thead> <tbody> <tr> <td>CIS-BUZ-S</td> <td>1/2" BSP</td> <td>M20x1.5</td> </tr> <tr> <td>CIS-BUZ-S-22.5</td> <td>22.5mm bore</td> <td>M20x1.5</td> </tr> <tr> <td>CIS-BUZ-S-NPT</td> <td>1/2" NPT</td> <td>M20x1.5</td> </tr> <tr> <td>CIS-BUZ-S-M24</td> <td>M24x1.5</td> <td>M20x1.5</td> </tr> <tr> <td>CIS-BUZ-S-M24-PG16</td> <td>M24x1.5</td> <td>PG16</td> </tr> <tr> <td>CIS-BUZ-S-15.3</td> <td>15.3mm bore</td> <td>M20x1.5</td> </tr> </tbody> </table> <p>33mm 40mm IP68 480°C</p>	Part No.	PE	CE	CIS-BUZ-S	1/2" BSP	M20x1.5	CIS-BUZ-S-22.5	22.5mm bore	M20x1.5	CIS-BUZ-S-NPT	1/2" NPT	M20x1.5	CIS-BUZ-S-M24	M24x1.5	M20x1.5	CIS-BUZ-S-M24-PG16	M24x1.5	PG16	CIS-BUZ-S-15.3	15.3mm bore	M20x1.5				
Part No.	PE	CE																									
CIS-BUZ-S	1/2" BSP	M20x1.5																									
CIS-BUZ-S-22.5	22.5mm bore	M20x1.5																									
CIS-BUZ-S-NPT	1/2" NPT	M20x1.5																									
CIS-BUZ-S-M24	M24x1.5	M20x1.5																									
CIS-BUZ-S-M24-PG16	M24x1.5	PG16																									
CIS-BUZ-S-15.3	15.3mm bore	M20x1.5																									
<p>CIS-BUZ-W</p> 		<table border="1"> <thead> <tr> <th>Part No.</th> <th>PE</th> <th>CE</th> </tr> </thead> <tbody> <tr> <td>CIS-BUZ-W-S</td> <td>1/2" BSP</td> <td>M20x1.5</td> </tr> </tbody> </table> <p>33mm 40mm IP68 480°C</p>	Part No.	PE	CE	CIS-BUZ-W-S	1/2" BSP	M20x1.5																			
Part No.	PE	CE																									
CIS-BUZ-W-S	1/2" BSP	M20x1.5																									
<p>CIS-SUZ</p> 		<table border="1"> <thead> <tr> <th>Part No.</th> <th>PE</th> <th>CE</th> </tr> </thead> <tbody> <tr> <td>CIS-SUZ-S</td> <td>1/2" BSP</td> <td>M20x1.5</td> </tr> <tr> <td>CIS-SUZ-S-M24</td> <td>M24x1.5</td> <td>M20x1.5</td> </tr> <tr> <td>CIS-SUZ-M20</td> <td>M20x1.5</td> <td>M20x1.5</td> </tr> <tr> <td>CIS-SUZ-15.3</td> <td>15.3mm bore</td> <td>M20x1.5</td> </tr> </tbody> </table> <p>33mm 27mm 480°C</p>	Part No.	PE	CE	CIS-SUZ-S	1/2" BSP	M20x1.5	CIS-SUZ-S-M24	M24x1.5	M20x1.5	CIS-SUZ-M20	M20x1.5	M20x1.5	CIS-SUZ-15.3	15.3mm bore	M20x1.5										
Part No.	PE	CE																									
CIS-SUZ-S	1/2" BSP	M20x1.5																									
CIS-SUZ-S-M24	M24x1.5	M20x1.5																									
CIS-SUZ-M20	M20x1.5	M20x1.5																									
CIS-SUZ-15.3	15.3mm bore	M20x1.5																									
<p>CIS-KF Montage mural</p> 		<table border="1"> <thead> <tr> <th>Part No.</th> <th>PE</th> <th>CE</th> </tr> </thead> <tbody> <tr> <td>CIS-KF</td> <td>1/2" BSP</td> <td>M20x1.5</td> </tr> <tr> <td>CIS-KF-34-M20</td> <td>3/4" BSP</td> <td>M20x1.5</td> </tr> <tr> <td>CIS-KF-34-12</td> <td>3/4" BSP</td> <td>1/2" BSP</td> </tr> <tr> <td>CIS-KF-M20-M20</td> <td>M20x1.5</td> <td>M20x1.5</td> </tr> </tbody> </table> <table border="1"> <thead> <tr> <th>Part No.</th> <th>Description</th> </tr> </thead> <tbody> <tr> <td>CIS-RTUBE</td> <td>Radiation Tube – 115X22mm (NPB)</td> </tr> <tr> <td>CIS-M20PLUG</td> <td>Plug – M20 Thread (6mm bore)</td> </tr> <tr> <td>CIS-KF-34-12</td> <td>Plug – 1/2" BSP Thread</td> </tr> <tr> <td>CIS-KF-M20-M20</td> <td>Plug – 3/4" BSP Thread</td> </tr> </tbody> </table>	Part No.	PE	CE	CIS-KF	1/2" BSP	M20x1.5	CIS-KF-34-M20	3/4" BSP	M20x1.5	CIS-KF-34-12	3/4" BSP	1/2" BSP	CIS-KF-M20-M20	M20x1.5	M20x1.5	Part No.	Description	CIS-RTUBE	Radiation Tube – 115X22mm (NPB)	CIS-M20PLUG	Plug – M20 Thread (6mm bore)	CIS-KF-34-12	Plug – 1/2" BSP Thread	CIS-KF-M20-M20	Plug – 3/4" BSP Thread
Part No.	PE	CE																									
CIS-KF	1/2" BSP	M20x1.5																									
CIS-KF-34-M20	3/4" BSP	M20x1.5																									
CIS-KF-34-12	3/4" BSP	1/2" BSP																									
CIS-KF-M20-M20	M20x1.5	M20x1.5																									
Part No.	Description																										
CIS-RTUBE	Radiation Tube – 115X22mm (NPB)																										
CIS-M20PLUG	Plug – M20 Thread (6mm bore)																										
CIS-KF-34-12	Plug – 1/2" BSP Thread																										
CIS-KF-M20-M20	Plug – 3/4" BSP Thread																										

<p>CIS-KNC</p> 		<table border="1"> <thead> <tr> <th>Part No.</th> <th>PE</th> <th>CE</th> </tr> </thead> <tbody> <tr> <td>CIS-KNC</td> <td>3/4" BSP</td> <td>M20x1.5</td> </tr> </tbody> </table> <p>33mm 40mm IP68 480°C</p>	Part No.	PE	CE	CIS-KNC	3/4" BSP	M20x1.5																																	
Part No.	PE	CE																																							
CIS-KNC	3/4" BSP	M20x1.5																																							
<p>CIS-KNA-E</p> 		<table border="1"> <thead> <tr> <th>Part No.</th> <th>PE</th> <th>CE</th> </tr> </thead> <tbody> <tr> <td>CIS-KNA-E</td> <td>1/2" BSP</td> <td>M20x1.5</td> </tr> </tbody> </table> <p>33mm 40mm IP67 480°C</p>	Part No.	PE	CE	CIS-KNA-E	1/2" BSP	M20x1.5																																	
Part No.	PE	CE																																							
CIS-KNA-E	1/2" BSP	M20x1.5																																							
<p>CIS-KMC</p> 		<table border="1"> <thead> <tr> <th>Part No.</th> <th>PE</th> <th>CE</th> </tr> </thead> <tbody> <tr> <td>CIS-KMC</td> <td>1/2" BSP</td> <td>M20x1.5</td> </tr> <tr> <td>CIS-KMC-14</td> <td>1/4" BSP</td> <td>M20x1.5</td> </tr> <tr> <td>CIS-KMC-M16</td> <td>M16x1.5</td> <td>M16x1.5</td> </tr> </tbody> </table> <p>33mm IP68 480°C</p>	Part No.	PE	CE	CIS-KMC	1/2" BSP	M20x1.5	CIS-KMC-14	1/4" BSP	M20x1.5	CIS-KMC-M16	M16x1.5	M16x1.5																											
Part No.	PE	CE																																							
CIS-KMC	1/2" BSP	M20x1.5																																							
CIS-KMC-14	1/4" BSP	M20x1.5																																							
CIS-KMC-M16	M16x1.5	M16x1.5																																							
<p>CIS-KD</p> 		<table border="1"> <thead> <tr> <th>Part No.</th> <th>PE</th> <th>CE</th> </tr> </thead> <tbody> <tr> <td>CIS-KD</td> <td>1/2" BSP</td> <td>M20x1.5</td> </tr> <tr> <td>CIS-KD-M8</td> <td>M8x1.25</td> <td>M20x1.5</td> </tr> <tr> <td>CIS-KD-M20</td> <td>M20x1.5</td> <td>M20x1.5</td> </tr> <tr> <td>CIS-KD-M22</td> <td>1/2" BSP</td> <td>M22x1.5</td> </tr> <tr> <td>CIS-KD-M24</td> <td>M24x1.5</td> <td>M20x1.5</td> </tr> <tr> <td>CIS-KD-PG16</td> <td>1/2" BSP</td> <td>PG16</td> </tr> <tr> <td>CIS-KD-NPT-PG16</td> <td>1/2" NPT</td> <td>PG16</td> </tr> <tr> <td>CIS-KD-M10-PG16</td> <td>M10x1.0</td> <td>PG16</td> </tr> <tr> <td>CIS-KD-6</td> <td>6mm bore</td> <td>M20x1.5</td> </tr> <tr> <td>CIS-KD-10.5</td> <td>10.5mm bore</td> <td>M20x1.5</td> </tr> <tr> <td>CIS-KD-15.3</td> <td>15.3mm bore</td> <td>M20x1.5</td> </tr> <tr> <td>CIS-KD-M24-BLEU(RAL5005°)</td> <td>M24x1.5</td> <td>M20x1.5</td> </tr> </tbody> </table> <p>33mm IP68 480°C</p>	Part No.	PE	CE	CIS-KD	1/2" BSP	M20x1.5	CIS-KD-M8	M8x1.25	M20x1.5	CIS-KD-M20	M20x1.5	M20x1.5	CIS-KD-M22	1/2" BSP	M22x1.5	CIS-KD-M24	M24x1.5	M20x1.5	CIS-KD-PG16	1/2" BSP	PG16	CIS-KD-NPT-PG16	1/2" NPT	PG16	CIS-KD-M10-PG16	M10x1.0	PG16	CIS-KD-6	6mm bore	M20x1.5	CIS-KD-10.5	10.5mm bore	M20x1.5	CIS-KD-15.3	15.3mm bore	M20x1.5	CIS-KD-M24-BLEU(RAL5005°)	M24x1.5	M20x1.5
Part No.	PE	CE																																							
CIS-KD	1/2" BSP	M20x1.5																																							
CIS-KD-M8	M8x1.25	M20x1.5																																							
CIS-KD-M20	M20x1.5	M20x1.5																																							
CIS-KD-M22	1/2" BSP	M22x1.5																																							
CIS-KD-M24	M24x1.5	M20x1.5																																							
CIS-KD-PG16	1/2" BSP	PG16																																							
CIS-KD-NPT-PG16	1/2" NPT	PG16																																							
CIS-KD-M10-PG16	M10x1.0	PG16																																							
CIS-KD-6	6mm bore	M20x1.5																																							
CIS-KD-10.5	10.5mm bore	M20x1.5																																							
CIS-KD-15.3	15.3mm bore	M20x1.5																																							
CIS-KD-M24-BLEU(RAL5005°)	M24x1.5	M20x1.5																																							
<p>CIS-KSE</p> 		<table border="1"> <thead> <tr> <th>Part No.</th> <th>PE</th> <th>CE</th> </tr> </thead> <tbody> <tr> <td>CIS-KSE</td> <td>1/8" BSP</td> <td>M16x1.5</td> </tr> <tr> <td>CIS-KSE-14</td> <td>1/4" BSP</td> <td>M16x1.5</td> </tr> <tr> <td>CIS-KSE-12</td> <td>1/2" BSP</td> <td>M16x1.5</td> </tr> <tr> <td>CIS-KSE-M16</td> <td>M16x1.5</td> <td>M16x1.5</td> </tr> </tbody> </table> <p>27mm IP68 480°C</p>	Part No.	PE	CE	CIS-KSE	1/8" BSP	M16x1.5	CIS-KSE-14	1/4" BSP	M16x1.5	CIS-KSE-12	1/2" BSP	M16x1.5	CIS-KSE-M16	M16x1.5	M16x1.5																								
Part No.	PE	CE																																							
CIS-KSE	1/8" BSP	M16x1.5																																							
CIS-KSE-14	1/4" BSP	M16x1.5																																							
CIS-KSE-12	1/2" BSP	M16x1.5																																							
CIS-KSE-M16	M16x1.5	M16x1.5																																							


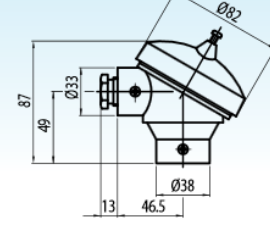

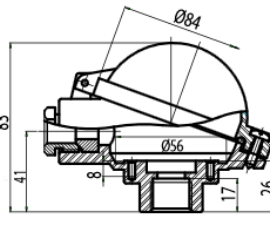

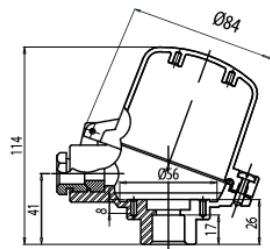
<p>CIS-MAXT</p> 		<table border="1"> <thead> <tr> <th>Part No.</th> <th>PE</th> <th>CE</th> </tr> </thead> <tbody> <tr> <td>CIS-MA-XT</td> <td>M20x0.75P</td> <td>M16x1.5</td> </tr> </tbody> </table> <p>20mm IP68 480°C</p>	Part No.	PE	CE	CIS-MA-XT	M20x0.75P	M16x1.5			
Part No.	PE	CE									
CIS-MA-XT	M20x0.75P	M16x1.5									
<p>CIS-MA</p> 		<table border="1"> <thead> <tr> <th>Part No.</th> <th>PE</th> <th>CE</th> </tr> </thead> <tbody> <tr> <td>CIS-MA</td> <td>M10x1.0P</td> <td>M16x1.5</td> </tr> <tr> <td>CIS-MA-18</td> <td>1/8" BSP</td> <td>M16x1.5</td> </tr> </tbody> </table> <p>20mm IP68 480°C</p>	Part No.	PE	CE	CIS-MA	M10x1.0P	M16x1.5	CIS-MA-18	1/8" BSP	M16x1.5
Part No.	PE	CE									
CIS-MA	M10x1.0P	M16x1.5									
CIS-MA-18	1/8" BSP	M16x1.5									
<p>CIS-KAA</p> 		<table border="1"> <thead> <tr> <th>Part No.</th> <th>Description</th> </tr> </thead> <tbody> <tr> <td>CIS-KAA</td> <td>Tête d'entrée angulaire en aluminium M16xM16</td> </tr> <tr> <td>CIS-G-M16</td> <td>Tuyau M16 avec douille en caoutchouc</td> </tr> </tbody> </table> <p>19mm 480°C</p>	Part No.	Description	CIS-KAA	Tête d'entrée angulaire en aluminium M16xM16	CIS-G-M16	Tuyau M16 avec douille en caoutchouc			
Part No.	Description										
CIS-KAA	Tête d'entrée angulaire en aluminium M16xM16										
CIS-G-M16	Tuyau M16 avec douille en caoutchouc										
<p>CIS-TL version large (PE-1/2»BSP)</p> 		<table border="1"> <thead> <tr> <th>Part No.</th> <th>Description</th> </tr> </thead> <tbody> <tr> <td>CIS-TL-2P-C</td> <td>Tête TL avec bloc 2 voies en céramique</td> </tr> </tbody> </table> <p>Aussi disponible avec bloc terminal Blacklite.</p>	Part No.	Description	CIS-TL-2P-C	Tête TL avec bloc 2 voies en céramique					
Part No.	Description										
CIS-TL-2P-C	Tête TL avec bloc 2 voies en céramique										
<p>CIS-TS small version (PE-1/4 »BSP)</p> 		<table border="1"> <thead> <tr> <th>Part No.</th> <th>Description</th> </tr> </thead> <tbody> <tr> <td>CIS-TL-2P-C</td> <td>Tête TL avec bloc 2 voies en céramique</td> </tr> </tbody> </table> <p>Aussi disponible avec bloc terminal Blacklite.</p>	Part No.	Description	CIS-TL-2P-C	Tête TL avec bloc 2 voies en céramique					
Part No.	Description										
CIS-TL-2P-C	Tête TL avec bloc 2 voies en céramique										


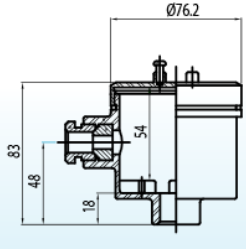

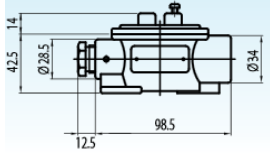

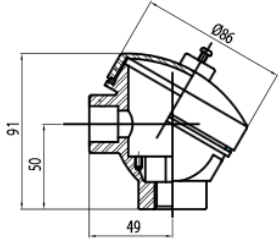

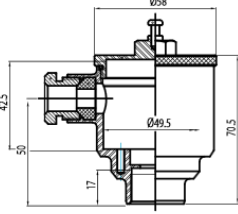

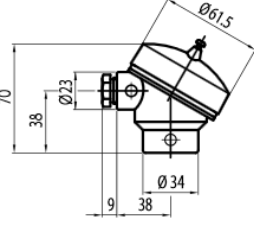
Tête en plastique

<p>CIS-KNN</p> 		<table border="1"> <thead> <tr> <th>Part No.</th> <th>PE</th> <th>CE</th> </tr> </thead> <tbody> <tr> <td>CIS-KNN</td> <td>1/2" BSP</td> <td>M20x1.5</td> </tr> <tr> <td>CIS-KNN-M24</td> <td>M24x1.5</td> <td>M24x1.5</td> </tr> </tbody> </table> <p>33mm 40mm IP65 200°C</p>	Part No.	PE	CE	CIS-KNN	1/2" BSP	M20x1.5	CIS-KNN-M24	M24x1.5	M24x1.5						
Part No.	PE	CE															
CIS-KNN	1/2" BSP	M20x1.5															
CIS-KNN-M24	M24x1.5	M24x1.5															
<p>CIS-KPP</p> 		<table border="1"> <thead> <tr> <th>Part No.</th> <th>PE</th> <th>CE</th> </tr> </thead> <tbody> <tr> <td>CIS-KPP</td> <td>1/2" BSP</td> <td>M20x1.5</td> </tr> <tr> <td>CIS-KPP-NPT</td> <td>1/2" BSP</td> <td>M20x1.5</td> </tr> </tbody> </table> <p>33mm 40mm IP68 165°C Polypropylène blanc.</p>	Part No.	PE	CE	CIS-KPP	1/2" BSP	M20x1.5	CIS-KPP-NPT	1/2" BSP	M20x1.5						
Part No.	PE	CE															
CIS-KPP	1/2" BSP	M20x1.5															
CIS-KPP-NPT	1/2" BSP	M20x1.5															
<p>CIS-KPP-B</p> 		<table border="1"> <thead> <tr> <th>Part No.</th> <th>PE</th> <th>CE</th> </tr> </thead> <tbody> <tr> <td>CIS-KPP-B</td> <td>1/2" BSP</td> <td>M20x1.5</td> </tr> </tbody> </table> <p>33mm 40mm IP68 165°C Polypropylène noir.</p>	Part No.	PE	CE	CIS-KPP-B	1/2" BSP	M20x1.5									
Part No.	PE	CE															
CIS-KPP-B	1/2" BSP	M20x1.5															
<p>CIS-KB</p> 		<table border="1"> <thead> <tr> <th>Part No.</th> <th>PE</th> <th>CE</th> </tr> </thead> <tbody> <tr> <td>CIS-KB</td> <td>1/2" BSP</td> <td>M20x1.5</td> </tr> </tbody> </table> <p>33mm 40mm IP68 180°C Bakélite</p>	Part No.	PE	CE	CIS-KB	1/2" BSP	M20x1.5									
Part No.	PE	CE															
CIS-KB	1/2" BSP	M20x1.5															
<p>CIS-KBS</p> 		<table border="1"> <thead> <tr> <th>Part No.</th> <th>PE</th> <th>CE</th> </tr> </thead> <tbody> <tr> <td>CIS-KBS</td> <td>1/4" BSP</td> <td>3/8" BSP</td> </tr> </tbody> </table> <p>27mm IP68 180°C Bakélite</p>	Part No.	PE	CE	CIS-KBS	1/4" BSP	3/8" BSP									
Part No.	PE	CE															
CIS-KBS	1/4" BSP	3/8" BSP															
<p>CIS-KI</p> 		<table border="1"> <thead> <tr> <th>Part No.</th> <th>PE</th> <th>CE</th> </tr> </thead> <tbody> <tr> <td>CIS-KI</td> <td>1/2" BSP</td> <td>M20x1.5</td> </tr> <tr> <td>CIS-KI-34</td> <td>3/4" BSP</td> <td>M20x1.5</td> </tr> <tr> <td>CIS-KI-NPT</td> <td>1/2" NPT</td> <td>M20x1.5</td> </tr> <tr> <td>CIS-KI-M24</td> <td>M24x1.5</td> <td>M20x1.5</td> </tr> </tbody> </table> <p>33mm 40mm IP67 900-1000°C</p>	Part No.	PE	CE	CIS-KI	1/2" BSP	M20x1.5	CIS-KI-34	3/4" BSP	M20x1.5	CIS-KI-NPT	1/2" NPT	M20x1.5	CIS-KI-M24	M24x1.5	M20x1.5
Part No.	PE	CE															
CIS-KI	1/2" BSP	M20x1.5															
CIS-KI-34	3/4" BSP	M20x1.5															
CIS-KI-NPT	1/2" NPT	M20x1.5															
CIS-KI-M24	M24x1.5	M20x1.5															


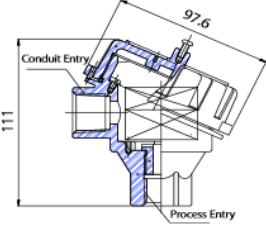

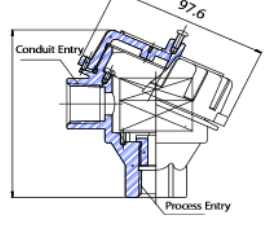
<p>CIS-CCI</p> 		<table border="1"> <thead> <tr> <th>Part No.</th> <th>PE</th> <th>CE</th> </tr> </thead> <tbody> <tr> <td>CIS-CCI</td> <td>1/2" BSP</td> <td>M20x1.5</td> </tr> </tbody> </table> <p>33mm 40mm 45mm IP68 900-1000°C</p>	Part No.	PE	CE	CIS-CCI	1/2" BSP	M20x1.5
Part No.	PE	CE						
CIS-CCI	1/2" BSP	M20x1.5						
<p>CIS-CLS</p> 		<table border="1"> <thead> <tr> <th>Part No.</th> <th>PE</th> <th>CE</th> </tr> </thead> <tbody> <tr> <td>CIS-CLS</td> <td>1/2" BSP</td> <td>M20x1.5</td> </tr> </tbody> </table> <p>33mm 40mm 45mm IP68 1000-1100°C</p>	Part No.	PE	CE	CIS-CLS	1/2" BSP	M20x1.5
Part No.	PE	CE						
CIS-CLS	1/2" BSP	M20x1.5						
<p>CIS-CSS</p> 		<table border="1"> <thead> <tr> <th>Part No.</th> <th>PE</th> <th>CE</th> </tr> </thead> <tbody> <tr> <td>CIS-CSS</td> <td>1/2" BSP</td> <td>M20x1.5</td> </tr> </tbody> </table> <p>33mm 40mm 45mm IP68 1000-1100°C</p>	Part No.	PE	CE	CIS-CSS	1/2" BSP	M20x1.5
Part No.	PE	CE						
CIS-CSS	1/2" BSP	M20x1.5						

Tête en acier inoxydable 316

<p>CIS-LS</p> 		<table border="1"> <thead> <tr> <th>Part No.</th> <th>PE</th> <th>CE</th> </tr> </thead> <tbody> <tr> <td>CIS-LS</td> <td>1/2" BSP</td> <td>M20x1.5</td> </tr> <tr> <td>CIS-LS-M20</td> <td>M20x1.5</td> <td>M20x1.5</td> </tr> <tr> <td>CIS-LS-M25</td> <td>1/2" BSP</td> <td>M25x1.5</td> </tr> <tr> <td>CIS-LS-NPT</td> <td>1/2" NPT</td> <td>M20x1.5</td> </tr> <tr> <td>CIS-LS-NPT-NPT</td> <td>1/2" NPT</td> <td>1/2" NPT</td> </tr> <tr> <td>CIS-LS-34</td> <td>1/2" BSP</td> <td>3/4" BSP</td> </tr> </tbody> </table> <p>33mm 40mm IP68 1000-1100°C</p>	Part No.	PE	CE	CIS-LS	1/2" BSP	M20x1.5	CIS-LS-M20	M20x1.5	M20x1.5	CIS-LS-M25	1/2" BSP	M25x1.5	CIS-LS-NPT	1/2" NPT	M20x1.5	CIS-LS-NPT-NPT	1/2" NPT	1/2" NPT	CIS-LS-34	1/2" BSP	3/4" BSP
Part No.	PE	CE																					
CIS-LS	1/2" BSP	M20x1.5																					
CIS-LS-M20	M20x1.5	M20x1.5																					
CIS-LS-M25	1/2" BSP	M25x1.5																					
CIS-LS-NPT	1/2" NPT	M20x1.5																					
CIS-LS-NPT-NPT	1/2" NPT	1/2" NPT																					
CIS-LS-34	1/2" BSP	3/4" BSP																					
<p>CIS-SBUZ</p> 		<table border="1"> <thead> <tr> <th>Part No.</th> <th>PE</th> <th>CE</th> </tr> </thead> <tbody> <tr> <td>CIS-SBUZ</td> <td>1/2" BSP</td> <td>M20x1.5</td> </tr> </tbody> </table> <p>33mm 40mm IP68 1000-1100°C</p>	Part No.	PE	CE	CIS-SBUZ	1/2" BSP	M20x1.5															
Part No.	PE	CE																					
CIS-SBUZ	1/2" BSP	M20x1.5																					
<p>CIS-SBUZ-H</p> 		<table border="1"> <thead> <tr> <th>Part No.</th> <th>PE</th> <th>CE</th> </tr> </thead> <tbody> <tr> <td>CIS-SBUZH</td> <td>1/2" BSP</td> <td>M20x1.5</td> </tr> <tr> <td>CIS-SBUZH-NPT</td> <td>1/2" NPT</td> <td>M20x1.5</td> </tr> </tbody> </table> <p>33mm 40mm IP68 1000-1100°C</p>	Part No.	PE	CE	CIS-SBUZH	1/2" BSP	M20x1.5	CIS-SBUZH-NPT	1/2" NPT	M20x1.5												
Part No.	PE	CE																					
CIS-SBUZH	1/2" BSP	M20x1.5																					
CIS-SBUZH-NPT	1/2" NPT	M20x1.5																					

<p>CIS-316L</p> 		<table border="1"> <thead> <tr> <th>Part No.</th> <th>PE</th> <th>CE</th> </tr> </thead> <tbody> <tr> <td>CIS-316L</td> <td>1/2" BSP</td> <td>M20x1.5</td> </tr> <tr> <td>CIS-316L-NPT</td> <td>1/2" NPT</td> <td>M20x1.5</td> </tr> </tbody> </table> <p>33mm 40mm IP68 1000-1100°C Peut abriter deux émetteurs/bornes</p>	Part No.	PE	CE	CIS-316L	1/2" BSP	M20x1.5	CIS-316L-NPT	1/2" NPT	M20x1.5			
Part No.	PE	CE												
CIS-316L	1/2" BSP	M20x1.5												
CIS-316L-NPT	1/2" NPT	M20x1.5												
<p>CIS-KFS</p> 		<table border="1"> <thead> <tr> <th>Part No.</th> <th>PE</th> <th>CE</th> </tr> </thead> <tbody> <tr> <td>CIS-KFS</td> <td>1/2" BSP</td> <td>M20x1.5</td> </tr> </tbody> </table> <p>33mm 40mm IP68 1000-1100°C</p>	Part No.	PE	CE	CIS-KFS	1/2" BSP	M20x1.5						
Part No.	PE	CE												
CIS-KFS	1/2" BSP	M20x1.5												
<p>CIS-BLS</p> 		<table border="1"> <thead> <tr> <th>Part No.</th> <th>PE</th> <th>CE</th> </tr> </thead> <tbody> <tr> <td>CIS-BLS</td> <td>1/2" BSP</td> <td>M20x1.5</td> </tr> <tr> <td>CIS-BLS-M25</td> <td>1/2" BSP</td> <td>M20x1.5</td> </tr> </tbody> </table> <p>33mm 40mm IP68 1000-1100°C</p>	Part No.	PE	CE	CIS-BLS	1/2" BSP	M20x1.5	CIS-BLS-M25	1/2" BSP	M20x1.5			
Part No.	PE	CE												
CIS-BLS	1/2" BSP	M20x1.5												
CIS-BLS-M25	1/2" BSP	M20x1.5												
<p>CIS-SEG</p> 		<table border="1"> <thead> <tr> <th>Part No.</th> <th>PE</th> <th>CE</th> </tr> </thead> <tbody> <tr> <td>CIS-SEG</td> <td>M24x1.5</td> <td>M20x1.5</td> </tr> <tr> <td>CIS-SEG-12</td> <td>1/2" BSP</td> <td>1/2" BSP</td> </tr> <tr> <td>CIS-SEG-12-M20</td> <td>1/2" BSP</td> <td>M20x1.5</td> </tr> </tbody> </table> <p>33mm 1000-1100°C Hautement poli</p>	Part No.	PE	CE	CIS-SEG	M24x1.5	M20x1.5	CIS-SEG-12	1/2" BSP	1/2" BSP	CIS-SEG-12-M20	1/2" BSP	M20x1.5
Part No.	PE	CE												
CIS-SEG	M24x1.5	M20x1.5												
CIS-SEG-12	1/2" BSP	1/2" BSP												
CIS-SEG-12-M20	1/2" BSP	M20x1.5												
<p>CIS-SS</p> 		<table border="1"> <thead> <tr> <th>Part No.</th> <th>PE</th> <th>CE</th> </tr> </thead> <tbody> <tr> <td>CIS-SS</td> <td>1/4" BSP</td> <td>M16x1.5</td> </tr> <tr> <td>CIS-SS-12</td> <td>1/2" BSP</td> <td>M16x1.5</td> </tr> </tbody> </table> <p>27mm IP65 1000-1100°C</p>	Part No.	PE	CE	CIS-SS	1/4" BSP	M16x1.5	CIS-SS-12	1/2" BSP	M16x1.5			
Part No.	PE	CE												
CIS-SS	1/4" BSP	M16x1.5												
CIS-SS-12	1/2" BSP	M16x1.5												

Tête de renforcement Ex d

<p>CIS-XDS acier inoxydable</p> 	 <p>No. Certificat EC : BSI 07 ATEX 1532458U Notation : EEx dIIC T6 IP68 Ex tD A21 T100°C IP68</p>	<table border="1"> <thead> <tr> <th>Part No.</th> <th>Autorisation ATEX/FM</th> <th>PE</th> <th>CE</th> </tr> </thead> <tbody> <tr> <td>CIS-XDS-A-12BSP-M20</td> <td>ATEX</td> <td>1/2" BSP</td> <td>M20x1.5</td> </tr> <tr> <td>CIS-XDS-A-12NPT-12NPT</td> <td>ATEX</td> <td>1/2" NPT</td> <td>1/2" NPT</td> </tr> <tr> <td>CIS-F-12NPT-12NPT</td> <td>FM</td> <td>1/2" NPT</td> <td>1/2" NPT</td> </tr> </tbody> </table> <p>33mm 40mm IP68 1000-1100°C Certificat FM : NEC 500 EXPLOSION PROOF Notation : Classe I, division 1, groups A, B, C, D, T6 Classe II, division 1, groups E, F, G, T6 Classe III, type 4X</p>	Part No.	Autorisation ATEX/FM	PE	CE	CIS-XDS-A-12BSP-M20	ATEX	1/2" BSP	M20x1.5	CIS-XDS-A-12NPT-12NPT	ATEX	1/2" NPT	1/2" NPT	CIS-F-12NPT-12NPT	FM	1/2" NPT	1/2" NPT												
Part No.	Autorisation ATEX/FM	PE	CE																											
CIS-XDS-A-12BSP-M20	ATEX	1/2" BSP	M20x1.5																											
CIS-XDS-A-12NPT-12NPT	ATEX	1/2" NPT	1/2" NPT																											
CIS-F-12NPT-12NPT	FM	1/2" NPT	1/2" NPT																											
<p>CIS-XDA</p> 	 <p>No. Certificat EC : BSI 07 ATEX 1532458U Notation : EEx dIIC T6 IP68 Ex tD A21 T100°C IP68</p>	<table border="1"> <thead> <tr> <th>Part No.</th> <th>Autorisation ATEX/FM</th> <th>PE</th> <th>CE</th> </tr> </thead> <tbody> <tr> <td>CIS-XDA-A-12BSP-M20</td> <td>ATEX</td> <td>1/2" BSP</td> <td>M20x1.5</td> </tr> <tr> <td>CIS-XDA-A-12NPT-12NPT</td> <td>ATEX</td> <td>1/2" NPT</td> <td>1/2" NPT</td> </tr> <tr> <td>CIS-XDA-A-34BSP-M20</td> <td>ATEX</td> <td>3/4" BSP</td> <td>M20x1.5</td> </tr> <tr> <td>CIS-XDA-A-M24-M20</td> <td>ATEX</td> <td>M24x1.5</td> <td>M20x1.5</td> </tr> <tr> <td>CIS-XDA-F-12NPT-12NPT</td> <td>FM</td> <td>1/2" NPT</td> <td>1/2" NPT</td> </tr> <tr> <td>CIS-XDA-F-12NPT-34NPT</td> <td>FM</td> <td>1/2" NPT</td> <td>3/4" NPT</td> </tr> </tbody> </table> <p>33mm 40mm IP68 480°C Certificat FM : NEC 500 EXPLOSION PROOF Notation : Classe I, division 1, groups A, B, C, D, T6 Classe II, division 1, groups E, F, G, T6 Classe III, type 4X</p>	Part No.	Autorisation ATEX/FM	PE	CE	CIS-XDA-A-12BSP-M20	ATEX	1/2" BSP	M20x1.5	CIS-XDA-A-12NPT-12NPT	ATEX	1/2" NPT	1/2" NPT	CIS-XDA-A-34BSP-M20	ATEX	3/4" BSP	M20x1.5	CIS-XDA-A-M24-M20	ATEX	M24x1.5	M20x1.5	CIS-XDA-F-12NPT-12NPT	FM	1/2" NPT	1/2" NPT	CIS-XDA-F-12NPT-34NPT	FM	1/2" NPT	3/4" NPT
Part No.	Autorisation ATEX/FM	PE	CE																											
CIS-XDA-A-12BSP-M20	ATEX	1/2" BSP	M20x1.5																											
CIS-XDA-A-12NPT-12NPT	ATEX	1/2" NPT	1/2" NPT																											
CIS-XDA-A-34BSP-M20	ATEX	3/4" BSP	M20x1.5																											
CIS-XDA-A-M24-M20	ATEX	M24x1.5	M20x1.5																											
CIS-XDA-F-12NPT-12NPT	FM	1/2" NPT	1/2" NPT																											
CIS-XDA-F-12NPT-34NPT	FM	1/2" NPT	3/4" NPT																											

CONTACT

MESUREX

13 Rue des Corroyés
78730 Saint Arnoult en Yvelines
Tel : +33 (0) 1 30 41 23 62
Fax : +33 (0) 1 30 41 23 80
Mail : mesurex@mesurex.fr