

Série PK

Miniature high temperature pressure sensor

Ref : 2356

Rev : B



DESCRIPTION

These sensors are intended for both static and dynamic pressure measurements in a temperature range of up to 220°C. Made of APX4 stainless steel, they are robust and can be used in harsh environments. They are also insensitive to tightening torque and provide great stability.

MEASURING RANGES

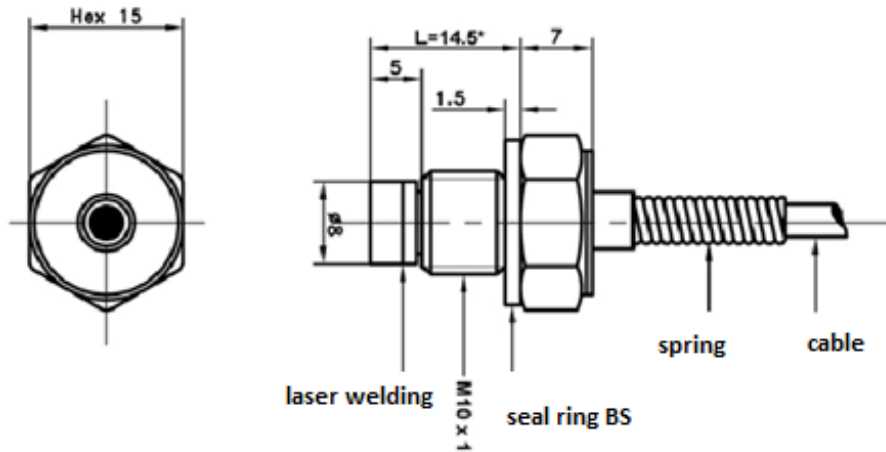
PRESSURE (FS in PSI)	PRESSURE (FS in BAR)	Overpressure	OFFSET At 20°C	SIGNAL F.S.	LINEARITY	HYSTERESIS
150	10	1.5x FS	0 mV ± 200 µV	10 mV ± 200 µV	± 0.5% EM	± 0.3% EM
300	20	1.5x FS	0 mV ± 200 µV	10 mV ± 200 µV	± 0.5% EM	± 0.3% EM
500	35	1.5x FS	0 mV ± 200 µV	10 mV ± 200 µV	± 0.3% EM	± 0.2% EM
750	50	1.5x FS	0 mV ± 200 µV	10 mV ± 200 µV	± 0.3% EM	± 0.2% EM
1500	100	1.5x FS	0 mV ± 200 µV	10 mV ± 200 µV	± 0.2% EM	± 0.2% EM
3000	200	1.5x FS	0 mV ± 200 µV	10 mV ± 200 µV	± 0.2% EM	± 0.2% EM
5000	350	1.5x FS	0 mV ± 200 µV	10 mV ± 200 µV	± 0.2% EM	± 0.2% EM

TECHNICAL SPECIFICATIONS

PARAMETERS	VALUES	NOTES
Répétabilité	± 0.2% of E.M.	
Offset in temperature	< 1 % E.M. / 100 °C	
Sensitivity drift	< 2 % E.M. / 100 °C	
Working temperature	-50°C à +220°C	
Compensation temperature	0°C à +150°C	
Supply	1 to 10V	10 Vcc recommended
Input impedance	520 Ω Nominal	
Output impedance	350 Ω Nominal	
Isolation	> 1000MΩ / 50Vcc	
Cable / Connector	Shielded cable / JAEGER	Silicone or teflon / JAEGER 530 824 006
Resonance frequency	25 à 150 kHz	
Threading	M10x1.0	
Seal	BS H.T Ring.	
Insulation	IP 50	
Other options		Please ask

SIZE

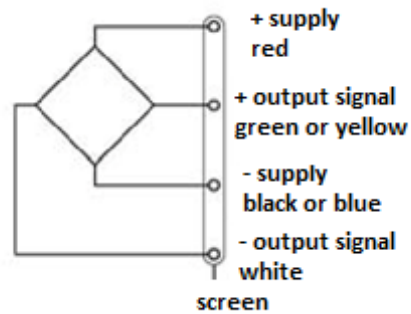
PKHT



Tightening torque : 10 Nm (15 Nm max)

WIRING

PKHT



CONTACT

G.R.D.I.A MESUREX

13 Rue des Corroyés
78730 Saint Arnoult en Yvelines

Tel : +33 (0) 1 30 41 23 62

Fax : +33 (0) 1 30 41 23 80

Mail : measurex@measurex.fr