

PN-Series

Miniature Pressure Sensor

Ref : 401

Rev : A



DESCRIPTION

The PN-Series is a high performance small pressure sensor using silicon chip for clean media (non corrosive).

It is best recommended for static applications or low frequency. Available with 3/8-24F UNJF-3A and or 10-32 UNF and M5 thread.

PN-Series is available with a cable or integral connector.

Offered in pressure ranges from 5 to 150 PSI (0.3 to 10 bar), relative and absolute pressure. Various compensated temperature ranges are available from -40°C up to 120°C. The sensor is offered with an amplified or unamplified output.

MEASURING RANGES

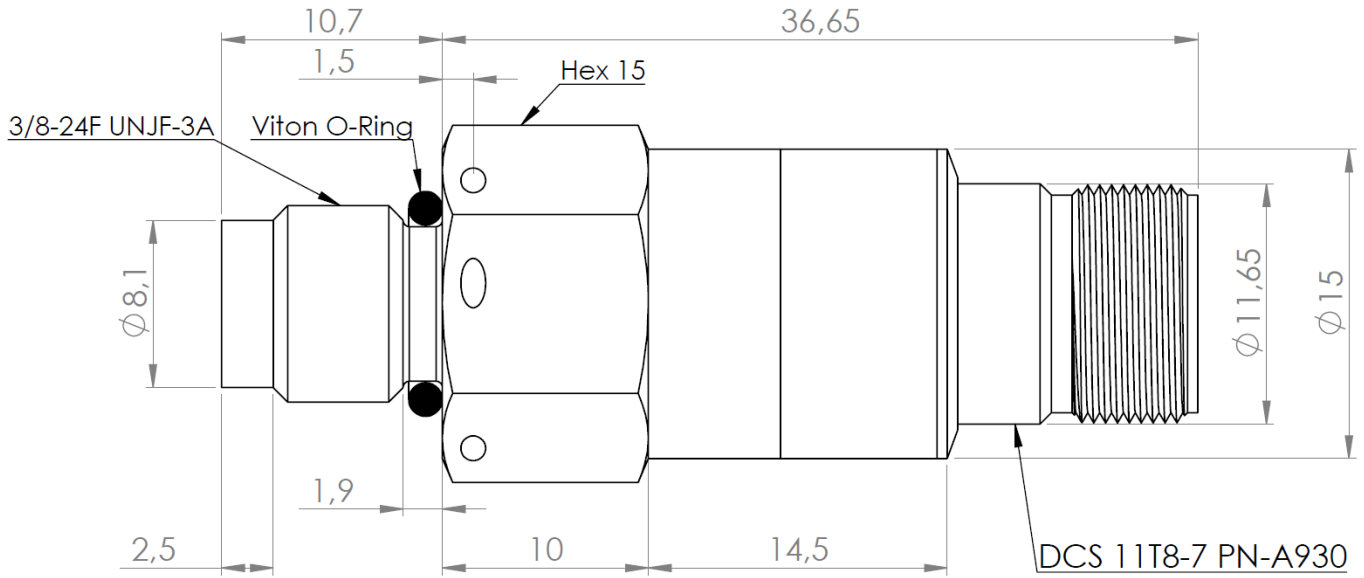
PRESSURE RANGES (FS in PSI)	PRESSURE RANGES (FS in BAR)	Pressure limit	ZERO OFFSET AT 20°C	OUTPUT FS	SIGNAL AT FS	Non Linearity & Hysteresis (%FS)	THERMAL ZERO SHIFT / 50°C (TZS)
5	0.35	3xFS	500 ± 100 mV	4700 ± 40 mV	4900 ± 200 mV	±0.5%	± 1% FSO
15	1	3xFS	325 ± 100 mV	4700 ± 40 mV	4900 ± 200 mV	±0.3%	± 1% FSO
30	2	3xFS	300 ± 100 mV	4700 ± 40 mV	4900 ± 200 mV	±0.3%	± 1% FSO
50	3.5	3xFS	300 ± 100 mV	4700 ± 40 mV	4900 ± 200 mV	±0.3%	± 1% FSO
100	7	3xFS	300 ± 100 mV	4700 ± 40 mV	4900 ± 200 mV	±0.3%	± 1% FSO
150	10.35	3xFS	300 ± 100 mV	4700 ± 40 mV	4900 ± 200 mV	±0.3%	± 1% FSO

TECHNICAL DATA

PARAMETERS	VALUES	NOTES
Supply voltage	13-32 VDC	
Pressure type	Absolute, Relative	
Electrical input	< 20 mA	
Output resistance	1 KΩ nom	
Insulation / 50 Vdc	> 100MΩ	
Operating temperature	-40°C to +120°C	
Compensated temperature	0° to +60°C	
Thermal Sensitivity Shift	± 1% FSO / 50°C	
Seal	Viton O'ring	7.65x1.63 65 Shore
Material	Stainless Steel	
Weight	20g max	

SIZE

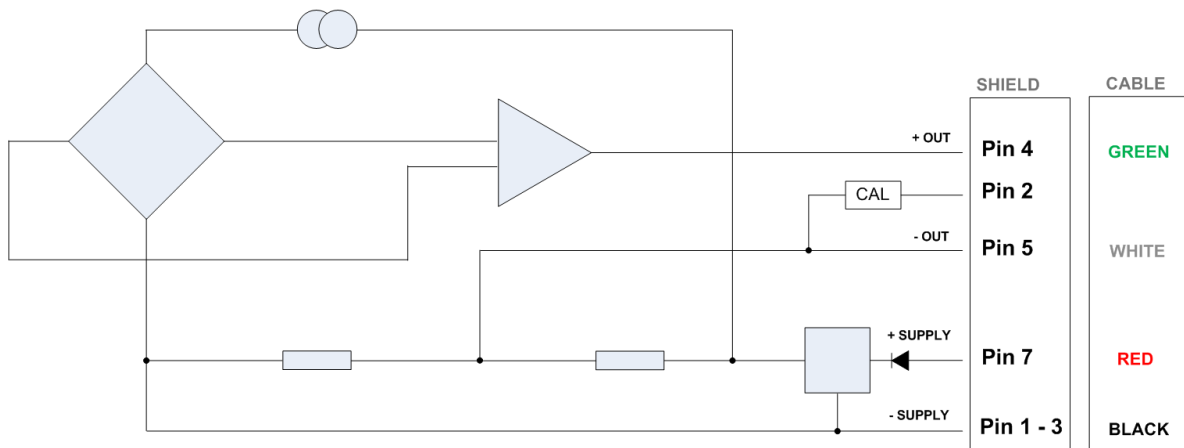
P-NDC—P5V



Installation torque: 1 N.m nom (1.8 N.m max)

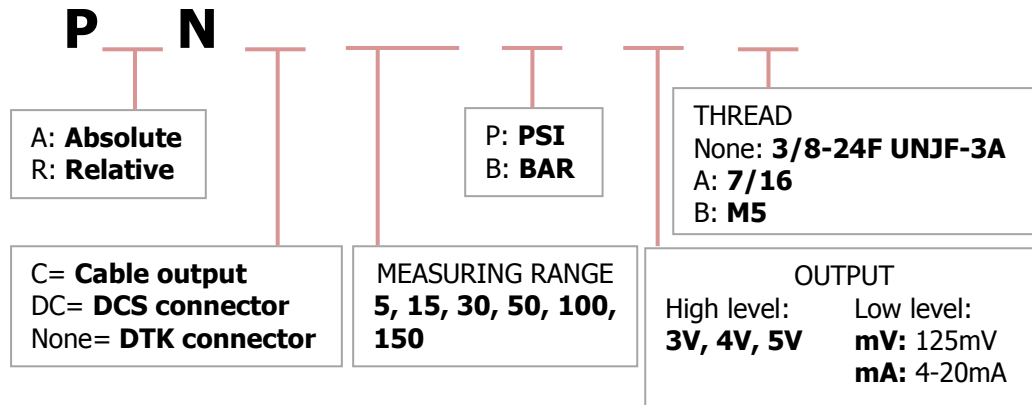
WIRING

P-NDC—P5V



Note: + 3V nom. Common mode output voltage referred to -SUPPLY

ORDERING INFORMATION



- **Special options**

OPTION	FEATURES
Calibration Shunt Material	On request Stainless Steel (Standard) DUPLEX
Thermal zero shift Special Temperature Compensation Range	On request 0°C to 60°C (standard) On request
Sealing	Viton O Ring

Example:

PANDC15P5V

- Absolute
- Deutsch DCS Connector
- 15 PSI
- Output: 0-5V
- Thread: 3/8

PRN5P5VA

- Relative
- Deutsch DTK Connector (or equivalent)
- 5 PSI
- Output: 0-5V
- Thread: 7/16

CONTACT

G.R.D.I.A MESUREX

13 Rue des Corroyés
78730 Saint Arnoult en Yvelines

Tel : +33 (0) 1 30 41 23 62
Fax : +33 (0) 1 30 41 23 80
Mail : mesurex@mesurex.fr