

PM6 Series

Miniature Pressure Sensor

Ref: 508

Rev: A



DESCRIPTION

This miniature pressure sensor is designed to perform static and dynamic measurements in a corrosive environment. Entirely made of stainless steel, this recessed membrane sensor is compatible with a large number of corrosive or conducting fluids. Available with gages output or with an integrated electronics which makes it possible to deliver an analogical tension signal.

MEASURING RANGES

PRESSURE RANGES (FS in PSI)	PRESSURE RANGES (FS in BAR)	Pressure Reference	OUTPUT FSO sensitivity with 10 Vdc	Frequency	Overpressure	Burst pressure
300	20	Gauge/Sealed	100mV 30%/+50%	179 Khz	2 x FS	3 x FS
500	35	Gauge/Sealed	100mV 30%/+50%	195 Khz	2 x FS	3 x FS
750	50	Gauge/Sealed	100mV 30%/+50%	227 Khz	2 x FS	3 x FS
1000	70	Gauge/Sealed	100mV 30%/+50%	276 Khz	2 x FS	3 x FS
1 500	100	Sealed	100mV 30%/+50%	325 Khz	2 x FS	3 x FS
2 000	140	Sealed	100mV 30%/+50%	377 Khz	2 x FS	3 x FS
3 000	200	Sealed	100mV 30%/+50%	455 Khz	2 x FS	3 x FS
5 000	350	Sealed	100mV 30%/+50%	585 Khz	2 x FS	3 x FS
7 500	500	Sealed	100mV 30%/+50%	764 Khz	2 x FS	3 x FS
10 000	700	Sealed	100mV 30%/+50%	845 Khz	2 x FS	3 x FS
15 000	1 000	Sealed	100mV 30%/+50%	926 Khz	2 x FS	3 x FS

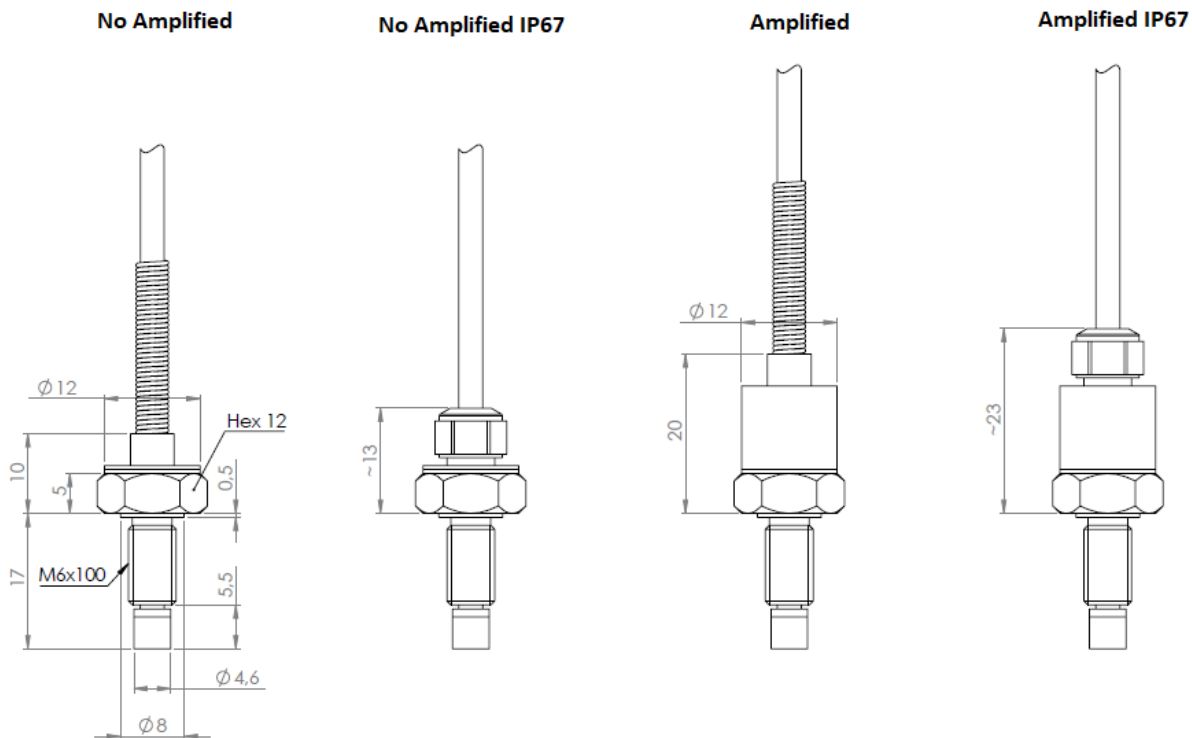
The suggested frequency of use is 20% of the resonant frequency
The bandwidth for versions with amplified electronics is 3kHz.

TECHNICAL DATA

PARAMETERS	VALUES	NOTES
Supply voltage	10V for no amplified 10 to 30 Vdc for amplified	
Repeatability	0.2% of FS	
Non linearity	+/-0.25% FS	
Hysteresis	+/- 0.25% FS	
Zero offset at 20°C	+/-10mv not amplified 0.5 Vdc ± 5% amplified version	4.5V for full scale
Insulation / 50 Vdc	> 100MΩ	At 50Vdc
Operating temperature	-40°C to +150°C	+125°C for amplified version
Compensated temperature	0° to +60°C	
Input impedance or consumption	1500 Ω < 30ma analogue version	
Output impedance	800 Ω 1000 Ω analogue version	
Material	Stainless Steel	
Output	SI3-4 cable Souriau connector (option)	Length: 2 meters 8STA1Y02-05PN170
Vibration	50G	
Shock	2G during 11ms	10 000G during 1ms

Bandwidth (-3db)	1250 Hz	Resonance's frequency 7.5KHz
Index of protection	IP 50 / IP67 (option)	
Weight	14 grams	
Joint/Ring	BS Ring	From 1500 to 5000 Psi
	ARMCO iron ring / copper	From 5000 to 15000 Psi
Mechanical characteristics	Body and membrane laser welded	
Options	Contact us	

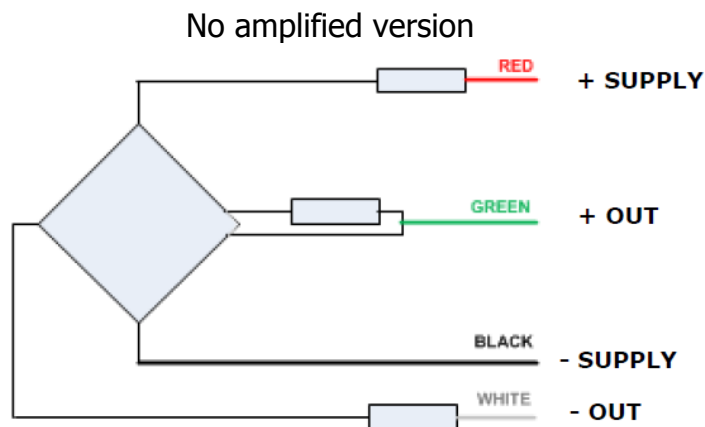
SIZE

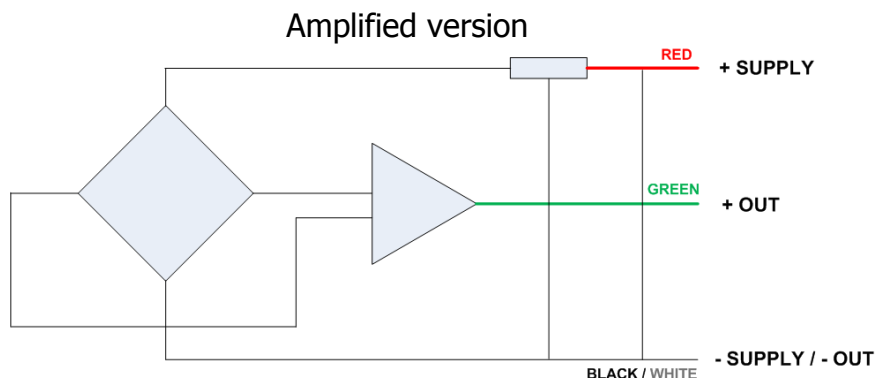


Mounting torque: From 1.5KP to 5KP: 5Nm

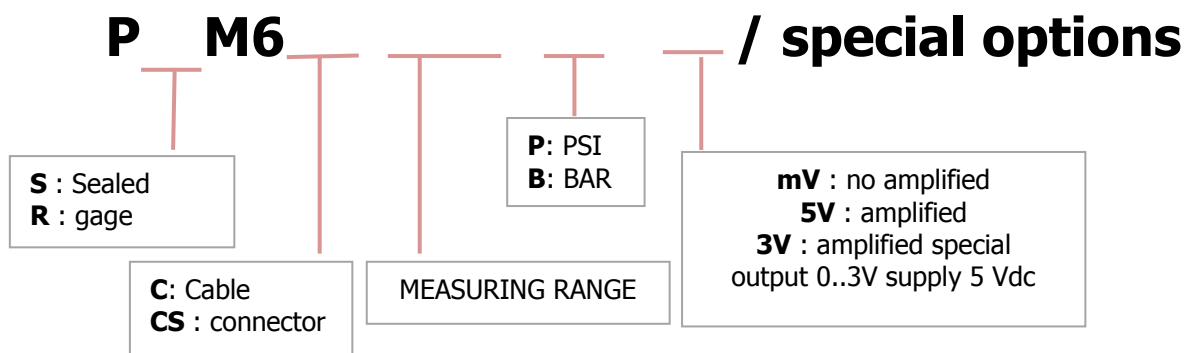
from 5KP to 15KP: 10Nm max

WIRING





ORDERING INFORMATION



• **Special options**

OPTION	FEATURES
Cable Length	<i>value</i> = Length in meters (M) or feet (F) 2m standard
Compensated temperature	0°C to +60°C standard (other available on request)
Compensated temperature 20°C to +120°C	<i>value</i> =C1
Compensated temperature 20°C to +150°C	<i>value</i> =C2
Protection IP67	Value = P7 (only for sealed version)
Thermal Flash testing 1000°C (special diaphragm)	Value = EP

Example: **PSM6C15KP5V**
 Sealed
 Cable output 2m standard
 15 000 Psi
 5V output
 Metric M6 Thread
 IP50

PRM6C1000BmV/L5P7
 Gage
 Cable output 5m
 1000 Bar
 No amplified signal mV
 Metric M6 Thread
 IP67

CONTACT

MESUREX
 13 Rue des Corroyés
 78730 Saint Arnoult en Yvelines (France)

Tel : +33 (0) 1 30 41 23 62
 Fax : +33 (0) 1 30 41 23 80
 Mail : mesurex@mesurex.fr