

# PASSAGES ETANCHES ACIER INOX NPT

Double cone

Ref : PE-XX-XX- NPT

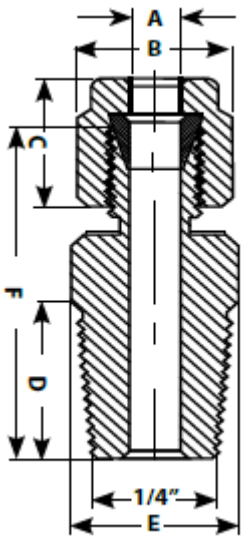
Rev : A

## CARACTERISTIQUES TECHNIQUES 1/4" NPT

Versions métriques

REFERENCE	PAS	A (Ø)	B	C	D	E	F
PE1.5 1/4" NPT	1/4" NPT	1.5mm	8	8	14.2	14.2	28
PE2 1/4" NPT	1/4" NPT	2mm	8	8	14.2	14.2	28
PE3 1/4" NPT	1/4" NPT	3mm	11.1	12	14.2	14.2	28.9
PE4 1/4" NPT	1/4" NPT	4mm	12.7	12	14.2	14.2	29.5
PE6 1/4" NPT	1/4" NPT	6mm	14.2	12.7	14.2	14.2	30.7
PE8 1/4" NPT	1/4" NPT	8mm	15.8	13.5	14.2	14.2	31.2

## DIMENSIONS



## CONTACT

### G.R.D.I.A MESUREX

13 Rue des Corroyé

78730 Saint Arnoult en Yvelines

Tel : +33 (0) 1 30 41 23 62

Fax : +33 (0) 1 30 41 23 80

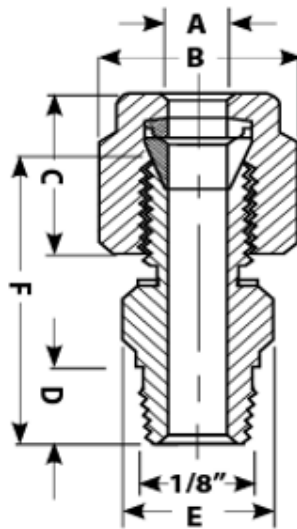
Mail : [mesurex@mesurex.fr](mailto:mesurex@mesurex.fr)

## CARACTERISTIQUES TECHNIQUES 1/8" NPT

### Versions métriques

REFERENCE	PAS	A (Ø)	B	C	D	E	F
PE1 1/8" NPT	1/8" NPT	1mm	7.9	8	9.6	11.1	22.1
PE1.5 1/8" NPT	1/8" NPT	1.5mm	7.9	8	9.6	11.1	22.1
PE2 1/8" NPT	1/8" NPT	2 mm	7.9	8	9.6	11.1	22.1
PE1/16 1/8" NPT	1/8" NPT	1/16"	7.9	8	9.6	11.1	22.1
PE3 1/8" NPT	1/8" NPT	3mm	11.1	12	9.6	11.1	23.8
PE1/8 1/8" NPT	1/8" NPT	1/8"	11.1	12	9.6	11.1	23.8
PE4 1/8" NPT	1/8" NPT	4mm	12.7	12	9.6	11.1	24.9
PE4.5 1/8" NPT	1/8" NPT	4.5mm	12.7	12	9.6	11.1	24.9
PE3/16 1/8" NPT	1/8" NPT	3/16"	12.7	12	9.6	11.1	24.9
PE6 1/8" NPT	1/8" NPT	6mm	14.2	12.7	9.6	11.1	25.4
PE1/4 1/8" NPT	1/8" NPT	1/4"	14.2	12.7	9.6	11.1	25.4

## DIMENSIONS

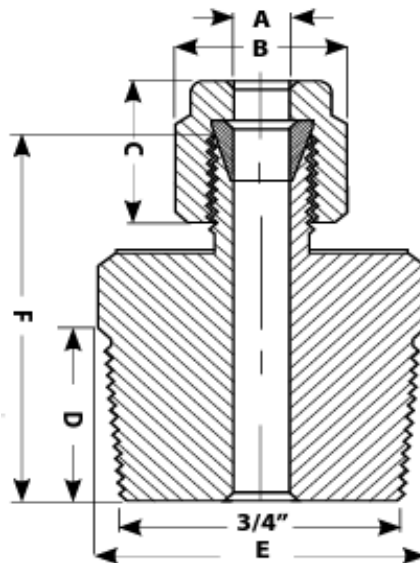


## CARACTERISTIQUES TECHNIQUES 3/4" NPT

### Versions métriques

REFERENCE	PAS	A (Ø)	B	C	D	E	F
PE6 3/4" NPT	3/4" NPT	6mm	14.2	12.7	19.0	27	38.6
PE1 1/4 3/4" NPT	3/4" NPT	1/4"	14.2	12.7	19.0	27	38.6
PE5/16 3/4" NPT	3/4" NPT	5/16"	15.8	13.5	19.0	27	39.8
PE8 3/4" NPT	3/4" NPT	8mm	15.8	13.5	19.0	27	39.8
PE11 3/4" NPT	3/4" NPT	12mm	22.2	17.5	19.0	27	40.3
PE12 3/4" NPT	3/4" NPT	1/2"	22.2	17.5	19.0	27	40.3
PE1 1/2 3/4" NPT	3/4" NPT	15mm	25.4	17.5	19.0	27	40.3
PE15 3/4" NPT	3/4" NPT	21.3mm	32.0	17.5	19.0	27	41.6
PE1 3/4" NPT	3/4" NPT	1"	38.1	20.5	19.0	27	42.2

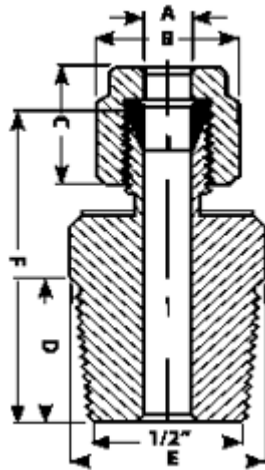
### DIMENSIONS



## CARACTERISTIQUES TECHNIQUES 1/2" NPT

REFERENCE	PAS	A (Ø)	B	C	D	E	F
PE3 1/2" NPT	1/2" NPT	3mm	11.1	12	19.0	22.2	35.5
PE1/8 1/2" NPT	1/2" NPT	1/8"	11.1	12	19.0	22.2	35.5
PE4 1/2" NPT	1/2" NPT	4mm	12.7	12	19.0	22.2	36.5
PE4.5 1/2" NPT	1/2" NPT	4.5mm	12.7	12	19.0	22.2	36.5
PE3/16 1/2" NPT	1/2" NPT	3/16"	12.7	12	19.0	22.2	36.5
PE6 1/2" NPT	1/2" NPT	6mm	14.2	12.7	19.0	22.2	37.3
PE1/4 1/2" NPT	1/2" NPT	1/4"	14.2	12.7	19.0	22.2	37.3
PE5/16 1/2" NPT	1/2" NPT	5/16"	15.8	13.5	19.0	22.2	38.2
PE8 1/2" NPT	1/2" NPT	8mm	15.8	13.5	19.0	22.2	38.2
PE3/8 1/2" NPT	1/2" NPT	3/8"	17.45	14.2	19.0	22.2	38.7
PE10 1/2" NPT	1/2" NPT	10mm	17.45	14.2	19.0	22.2	38.7
PE12 1/2" NPT	1/2" NPT	12mm	22.2	17.5	19.0	22.2	38.7
PE1/2 1/2" NPT	1/2" NPT	1/2"	22.2	17.5	19.0	22.2	38.7
PE13 1/2" NPT	1/2" NPT	13mm	22.2	17.5	19.0	22.2	38.7
PE14 1/2" NPT	1/2" NPT	14mm	25.4	17.5	19.0	22.2	38.7
PE15 1/2" NPT	1/2" NPT	15mm	25.4	17.5	19.0	22.2	38.7

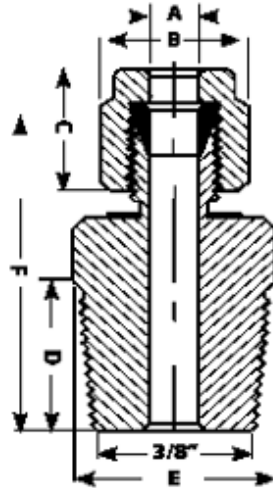
## DIMENSIONS



## CARACTERISTIQUES TECHNIQUES $\frac{3}{8}$ " NPT

REFERENCE	PAS	A (Ø)	B	C	D	E	F
PE3 $\frac{3}{8}$ " NPT	$\frac{3}{8}$ " NPT	3mm	11.1	12	14.2	17.45	29.5
PE $1\frac{1}{8}$ $\frac{3}{8}$ " NPT	$\frac{3}{8}$ " NPT	$\frac{1}{8}$ "	11.1	12	14.2	17.45	29.5
PE4 $\frac{3}{8}$ " NPT	$\frac{3}{8}$ " NPT	4mm	12.7	12	14.2	17.45	30.5
PE4.5 $\frac{3}{8}$ " NPT	$\frac{3}{8}$ " NPT	4.5mm	12.7	12	14.2	17.45	30.5
PE $\frac{3}{16}$ $\frac{3}{8}$ " NPT	$\frac{3}{8}$ " NPT	$\frac{3}{16}$ "	12.7	12	14.2	17.45	30.5
PE6 $\frac{3}{8}$ " NPT	$\frac{3}{8}$ " NPT	6mm	14.2	12.7	14.2	17.45	31
PE $1\frac{1}{4}$ $\frac{3}{8}$ " NPT	$\frac{3}{8}$ " NPT	$\frac{1}{4}$ "	14.2	12.7	14.2	17.45	31
PE $\frac{5}{16}$ $\frac{3}{8}$ " NPT	$\frac{3}{8}$ " NPT	$\frac{5}{16}$ "	15.8	13.5	14.2	17.45	32.2
PE8 $\frac{3}{8}$ " NPT	$\frac{3}{8}$ " NPT	8mm	15.8	13.5	14.2	17.45	32.2

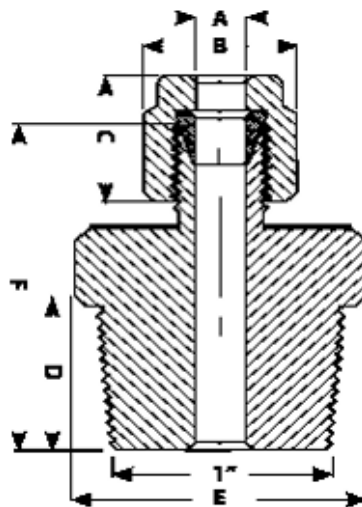
## DIMENSIONS



## CARACTERISTIQUES TECHNIQUES 1" NPT

REFERENCE	PAS	A (Ø)	B	C	D	E	F
PE6 1"NPT	1"NPT	6mm	14.2	12.7	23.5	34.9	42
PE <sup>1/4</sup> 1"NPT	1"NPT	1/4"	14.2	12.7	23.5	34.9	42
PE21.3 1"NPT	1"NPT	21.3mm	32	17.5	23.5	34.9	46.1
PE1 1"NPT	1"NPT	1"	38.1	20.5	23.5	34.9	46.7

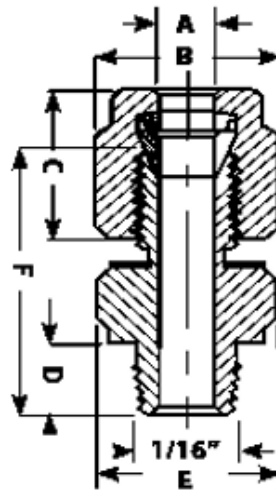
## DIMENSIONS



## CARACTERISTIQUES TECHNIQUES $\frac{1}{16}$ " NPT

REFERENCE	PAS	A ( $\emptyset$ )	B	C	D	E	F
PE1 $\frac{1}{16}$ "NPT	$\frac{1}{16}$ "NPT	1mm	7.9	8	9.5	8	22

## DIMENSIONS



## TABLE DE CONVERSION

Pouces	1/16"	1/8"	3/16"	1/4"	5/16"	3/8"	7/16"	1/2"	5/8"	3/4"	1"
mm	1.59	3.18	4.76	6.35	7.94	9.53	11.11	12.70	15.88	19.05	25.4