

Amplified load cell

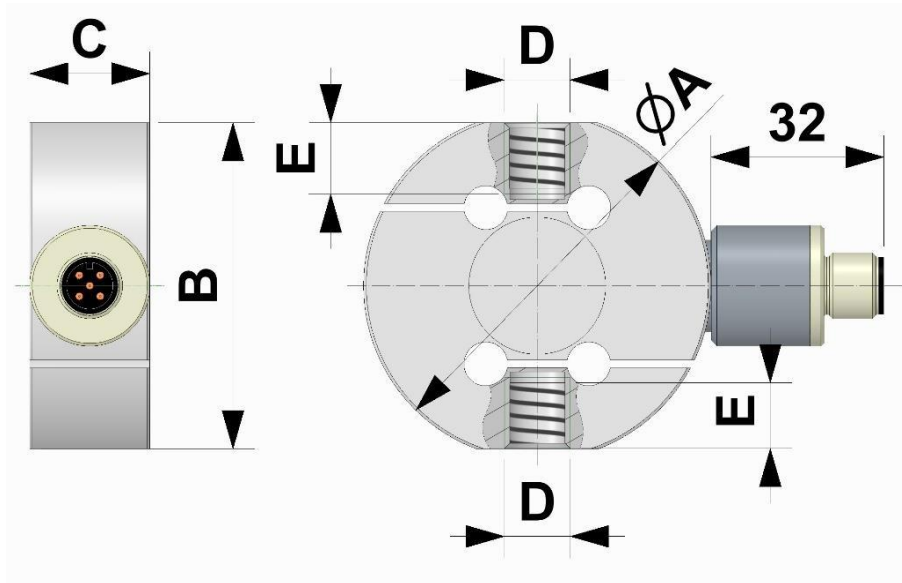
Series –FOSA
Réf : F FP 3507
Rev :



TECHNICAL DATA

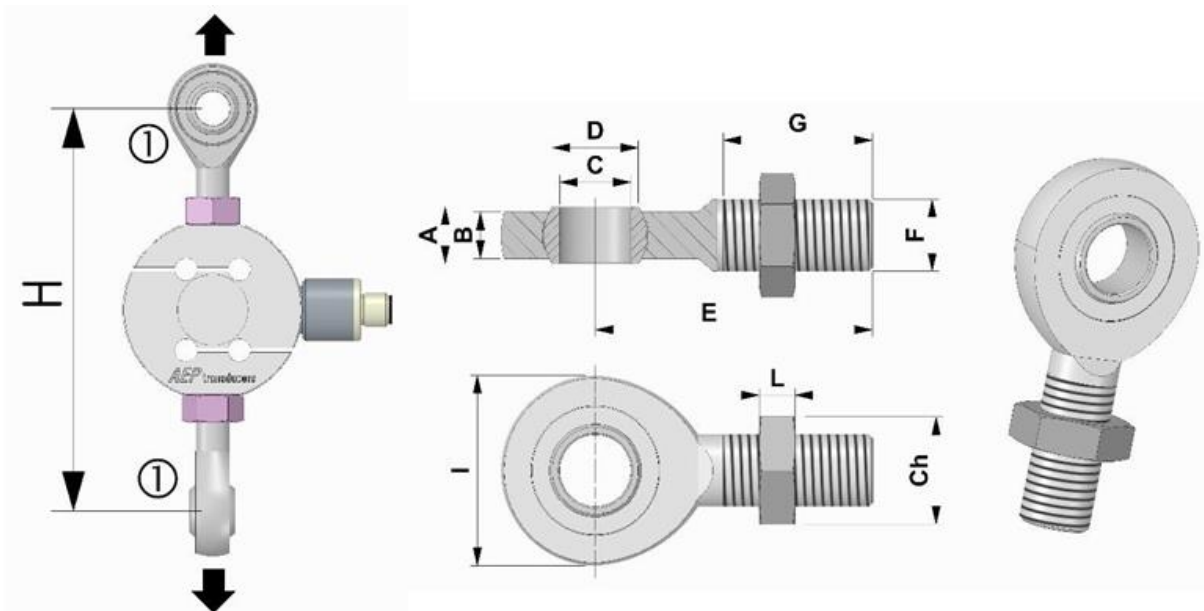
ACCURACY	0.03 %		
NOMINAL LOAD (Emax)	10 - 25 - 50 -100 kg 200 - 300 - 500 kg 1 - 2 - 2.5 - 5 -7.5 t		
NOMINAL SENSITIVITY	4-20 mA (3 wires)		
NOMINAL SENSITIVITY	± 5 V (1)		
NOMINAL SENSITIVITY	± 10 V (1)		
CALIBRATION TOLERANCE	< ± 0.1 %		
NON-LINEARITY	≤ ± 0.023 %		
NON-REPEATABILITY	≤ ± 0.015 %		
EFFET DE TEMPÉRATURE (10 ° C)			
a) sur zero	≤ ± 0.028 %		
b) sur la sensibilité	≤ ± 0.012 %		
NOMINAL POWER SUPPLY			
4-20 mA e ± 5 V	12 – 24 Vdc		
± 10 V	18 – 24 Vdc		
MAX. POWER SUPPLY	28 Vdc		
MAX. ABSORPTION (without load)	30 mA		
LOADING RESISTANCE:			
a) tension	min. 3 KΩ		
b) current	from 0 to 470 Ω		
INSULATION RESISTANCE	>2 GΩ		
ZERO BALANCE	± 1 %		
RESPONSE FREQUENCY	~ 1 kHz		
MECHANICAL LIMIT values referred to nominal load:			
a) minimum load	0 %		
b) service load	120 %		
c) max permissible load	150 %		
d) breaking load	> 300 %		
e) max transverse load	100 %		
f) max permissible dynamic load	50 %		
DISPLACEMENT AT NOMINAL LOAD	~ 0.2 mm		
REFERENCE TEMPERATURE	+ 23 °C		
TEMPERATURE NOMINAL RANGE	- 10 / + 40 °C		
SERVICE TEMPERATURE	- 20 / + 70 °C		
STORAGE TEMPERATURE	- 20 / + 80 °C		
WEIGHT	~ 0.6 kg	~ 1.2 kg	~ 2.6 kg
PROTECTION CLASS (EN 60529) EXECUTION MATERIAL	IP65		
CONNECTOR OUTPUT	Acciaio Inox / Stainless Steel		
PROTECTION CLASS (EN 60529) EXECUTION MATERIAL	M12 4 Poles Male connector		
RECOMMENDED KNUCKLE JOINTS	DURBAL EM12 - EM 17 DURBAL EM20 - EM25		

DIMENSIONS



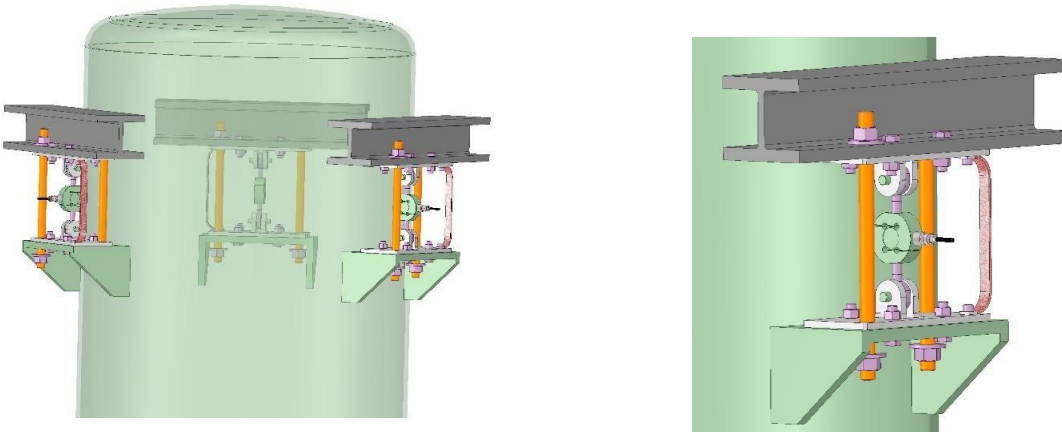
LOAD	A	B	C	D	E
from 10 kg to 500 kg	63.5	59.5	22	M12X1.75	12
from 500 kg to 2t	82	78	30	M16X2	20
2.5t	82	78	30	M20X1.5	20
5t and 7.5t	102	90	45	M24×2	21.5

APPLICATIONS

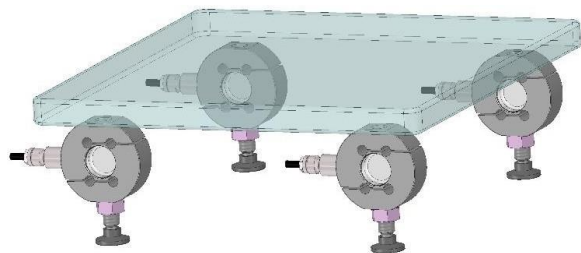


A	B	C	D	E	F	G	I	L	Ch	H
10	8	12	14.9	54	M12	28	34	7	19	~134
14	11	17	20.7	69	M16	36	46	8	24	~170
16	13	20	24.1	78	M20×1.5	43	53	9	30	~102
20	17	25	29.3	94	M24×2	53	64	10	36	~235

EXAMPLES OF INSTALLATION

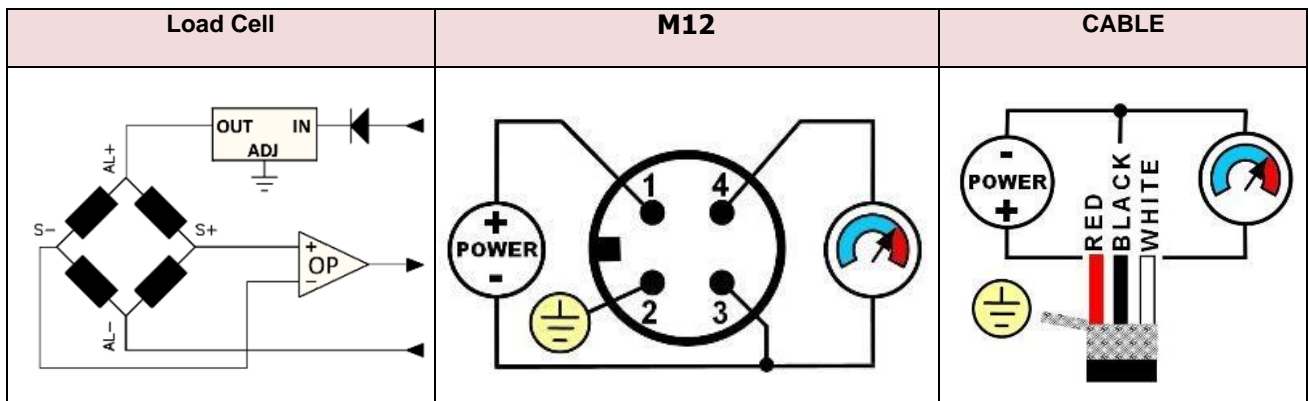


Silo with 3 TENSION supporting points



Platform with 4 supporting points with jointed

ELECTRICAL CONNECTIONS



CONTACT

MESUREX
 13 Rue des Corroyés
 78730 Saint Arnoult en Yvelines

Tel : +33 (0) 1 30 41 23 62
 Fax : +33 (0) 1 30 41 23 80
 Mail : mesurex@mesurex.fr