

# FOSA Series

## Amplified load cell

Ref : 3507

Rev : A



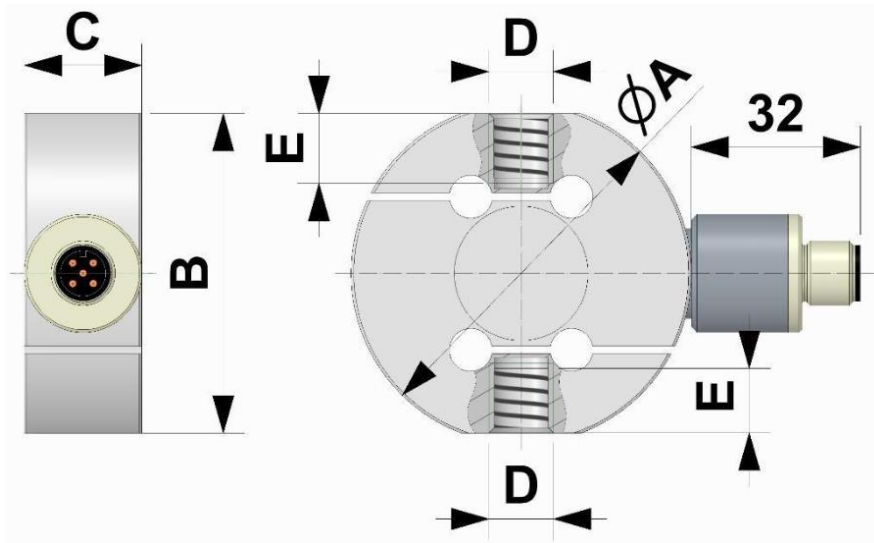
## DESCRIPTION

This load cell is perfectly adapted to work in hostile environments. Completely made of stainless steel, it is very robust with a long-term stability. It allows the measurement of static and dynamic loads in TENSION or COMPRESSION with very good precision.

## TECHNICAL CHARACTERISTICS

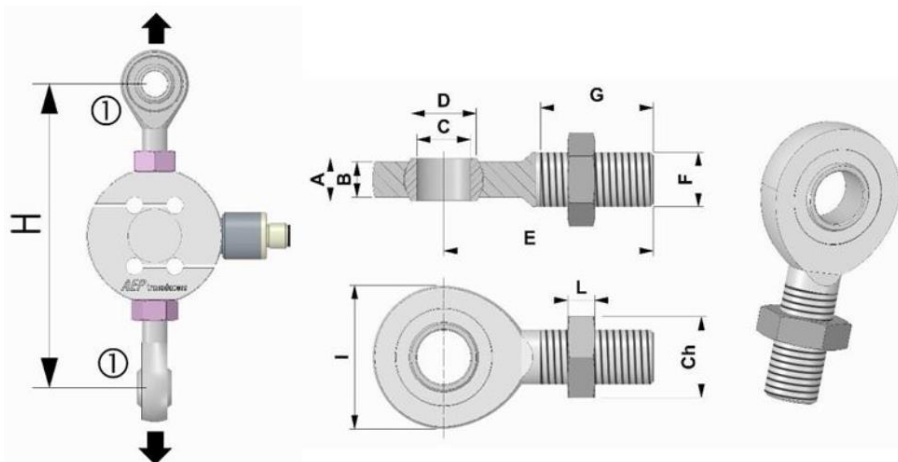
ACCURACY	0.03%
NOMINAL LOAD	10 - 25 - 50 - 100 kg 200 - 300 - 500 kg 1 - 2 - 2.5 - 5 - 7.5 t
NOMINAL SENSITIVITY	4-20 mA (3-wires)
NOMINAL SENSITIVITY	± 5 V
NOMINAL SENSITIVITY	± 10 V
SENSITIVITY TOLERANCE	≤ ± 0.1%
TEMPERATURE EFFECT (10 ° C)	
a) on zero	≤ ± 0.028 %
b) on sensitivity	≤ ± 0.012 %
NOMINAL POWER SUPPLY	
4-20 mA e ± 5 V	12 - 24 Vdc
± 10 V	18 - 24 Vdc
MAX POWER SUPPLY	28 Vdc
MAX ABSORPTION	30 mA
LOADING RESISTANCE:	
a) tension	Min. 3 KΩ
b) current	from 0 to 470 Ω
INSULATION RESISTANCE	>2 GΩ
ZERO BALANCE	± 1 %
RESPONSE FREQUENCY	~ 1 kHz
MECHANICAL LIMIT VALUES REFERED TO THE NOMINAL LOAD:	
a) minimum load	0%
b) service load	120%
c) maximum permissible load	150%
d) breaking load	>300%
e) maximum transverse load	100%
f) maximum permissible dynamic load	50%
DISPLACEMENT AT NOMINAL LOAD	~ 0.2 mm
REFERENCE TEMPERATURE	+23 °C
NOMINAL TEMPERATURE RANGE	-10 / +40 °C
OPERATING TEMPERATURE	-20 / +70 °C
STORAGE TEMPERATURE	-20 / +80 °C
WEIGHT	~ 0.6 kg / ~ 1.2 kg / ~ 2.6 kg
PROTECTION CLASS EN 60529) EXECUTION MATERIAL	IP65
CONSTRUCTION MATERIAL	Stainless Steel
CONNECTOR OUTPUT	M12 4 poles male connector
RECOMMENDED KNUCKLE JOINTS	DURBAL EM12 - EM 17 DURBAL EM20 - EM25

DIMENSIONS



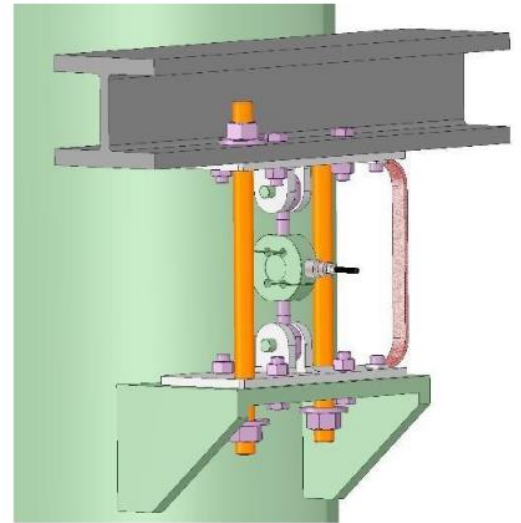
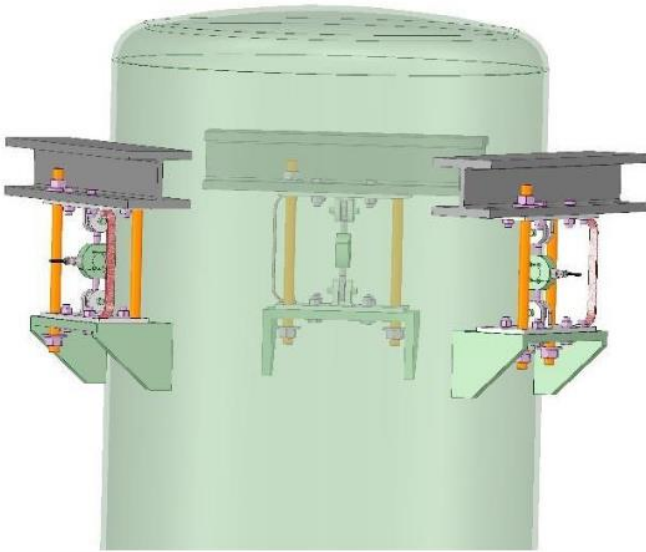
LOAD	A	B	C	D	E
From 10 kg to 500 kg	63.5	59.5	22	M12x1.75	12
From 500 kg to 2t	82	78	30	M16x2	20
2.5t	82	78	45	M24x2	20
5t and 7.5t	102	90	45	M24x2	21.5

APPLICATIONS

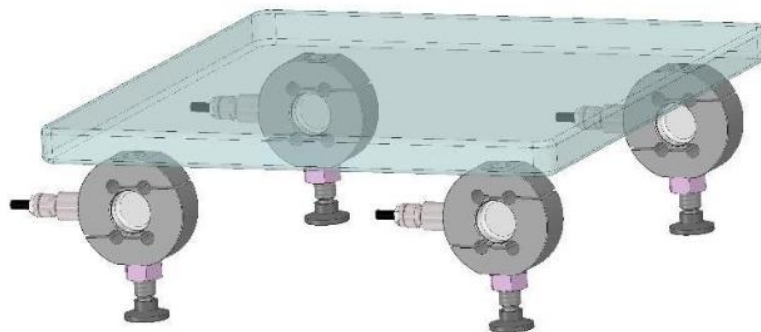


A	B	C	D	E	F	G	I	L	Ch	H
10	8	12	14.9	54	M12	28	34	7	19	~ 134
14	11	17	20.7	69	M16	36	46	8	24	~ 170
16	13	20	24.1	78	M20x1.5	43	53	9	30	~ 102
20	17	25	29.3	94	M24x2	53	64	10	36	~ 235

**EXAMPLES OF INSTALLATION**

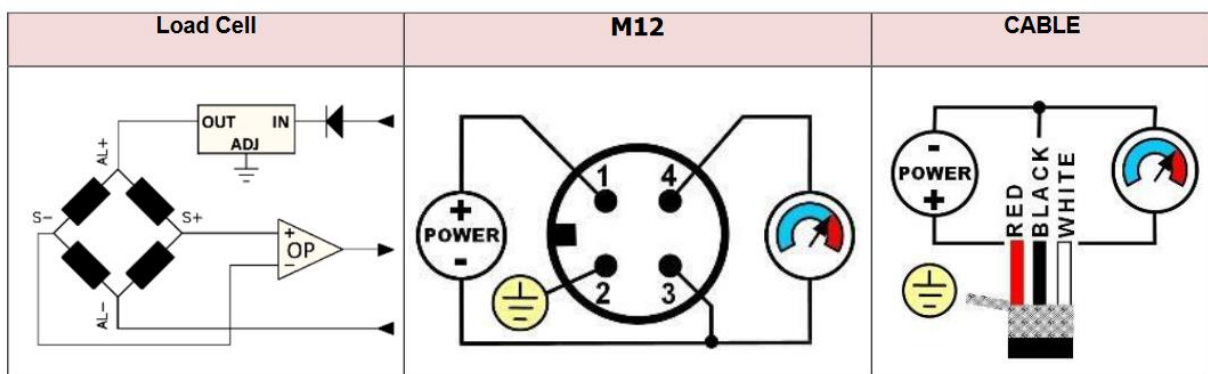


**Silo with 3 TENSION supporting points**



**Platform with 4 supporting points with jointed**

**ELECTRICAL CONNECTIONS**



**CONTACT**

**MESUREX**  
 13 Rue des Corroyés  
 78730 Saint Arnault en Yvelines (France)

Tel : +33 (0) 1 30 41 23 62  
 Mail : [mesurex@mesurex.fr](mailto:mesurex@mesurex.fr)  
 Web : [www.mesurex.fr](http://www.mesurex.fr)