

PM10C Series

Miniature Pressure Sensor

Ref : 602

Rev : A



DESCRIPTION

This miniature pressure sensor is designed to perform static and dynamic pressure measurements in a corrosive environment. Entirely made of stainless steel in a fully welded design, this recessed membrane sensor is compatible with a large number of corrosive or conducting fluids. An integrated electronic system enables to deliver an analogical tension or current signal.

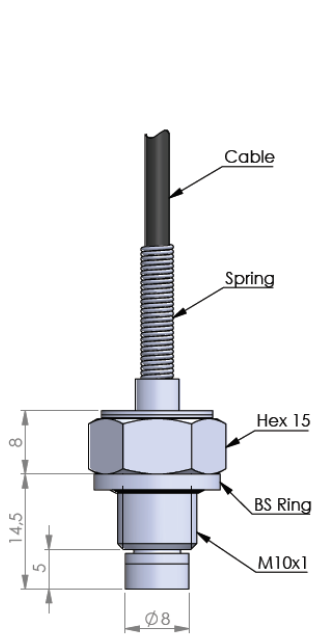
MESUREX is a sensor manufacturer. We can adapt most sensors to your needs. Please [contact us](#).

TECHNICAL CHARACTERISTICS

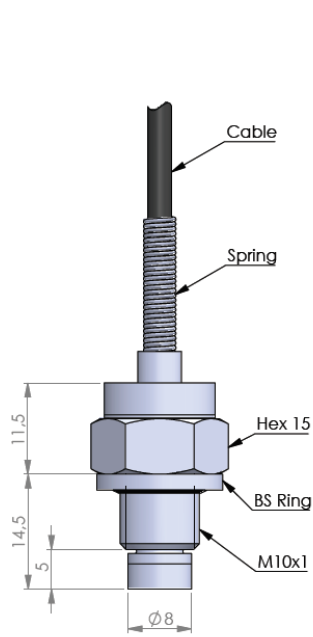
MODEL		Low level output - mV			Amplified output - 5V				Current output - mA		
INPUT	BAR	1	2	5	10	20	35	50	100	200	350
Pressure Range	PSI	15	30	75	150	300	500	750	1500	3000	5000
Pressure Type		Absolute (up to 50 BAR), Relative (up to 50 BAR), Sealed									
Over Pressure		2 Times Rated Pressure									
Burst Pressure		5 Times Rated Pressure (3 Times Rated Pressure at 350 BAR)									
Pressure Media		Any Liquid or Gas Compatible With 15-5 PH or Stainless Steel									
Electrical Input		500 – 1500 Ω			< 30 mA				< 30 mA		
Supply voltage		10 Vdc regulated			13 – 32 Vdc				10 – 26 Vdc		
OUTPUT		10 mV/V (5 mV/V at 1 BAR)			5 Vdc ± 150 mV				20 mA ± 0.4 mA		
Full Scale Output (FS)		500 – 800 Ω			1 kΩ				1 kΩ		
Output Impedance		± 1 mV/V			0 to 100 mV				4 mA ± 0.4 mA		
Zero offset at 20 °C		3 kHz									
Bandwidth (-3dB)		± 0.50% FS (Max)									
Combined Non-Linearity & Hysteresis		± 0.2% FS									
Repeatability		> 100 MΩ @ 50 Vdc									
Insulation		-40 °C to 120 °C			-40 to 80°C				-20 to 80°C		
ENVIRONMENTAL		0 °C to 60 °C (see Options for other Compensated Temperatures)									
Operating Temperatures		< ± 3% FS / 50 °C									
Compensated Temperatures		< ± 2% FS / 50 °C									
Thermal Zero Shift		30	30	35	50	69	79	109	154	218	288
Thermal Sensitivity Shift		4 Conductor 30 AWG Shielded Cable 2m long (see Options for other Cable Length)									
PHYSICAL		M10x1									
Resonant frequency	kHz	IP50 (See Options for other Index of Protection)									
Electrical Connection		Fully Active Four Arm Wheatstone Bridge Dielectrically Isolated Silicon on Silicon									
Mechanical Connection		BS Ring Ø15.88mm x 2mm (-40°C to 135°C)									
Index of Protection		10 Nm Max									
Pressure Sensing Principle											
Sealing											
Mounting Torque											

SIZE

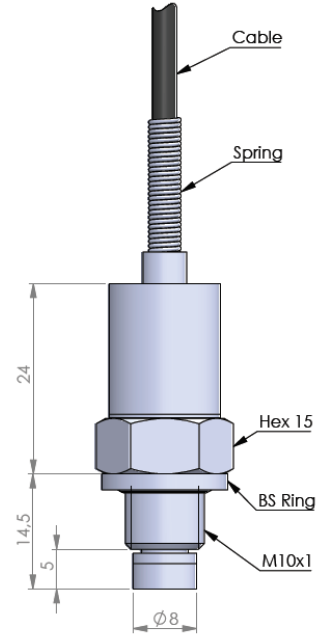
Low level output



Amplified output

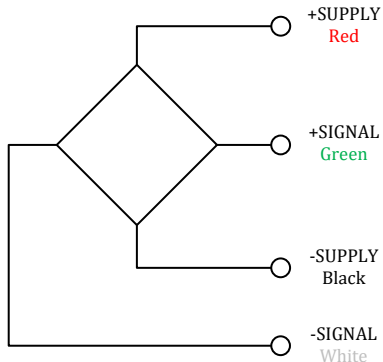


Current output

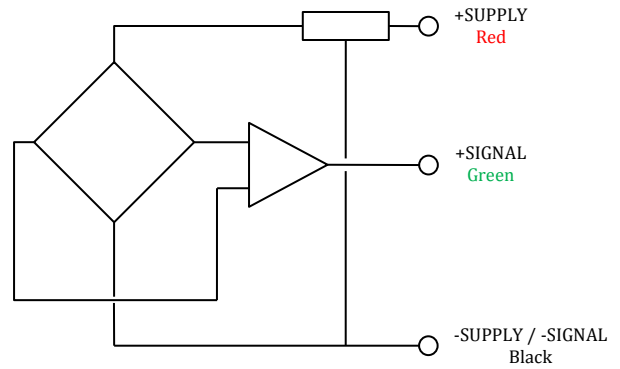


WIRING

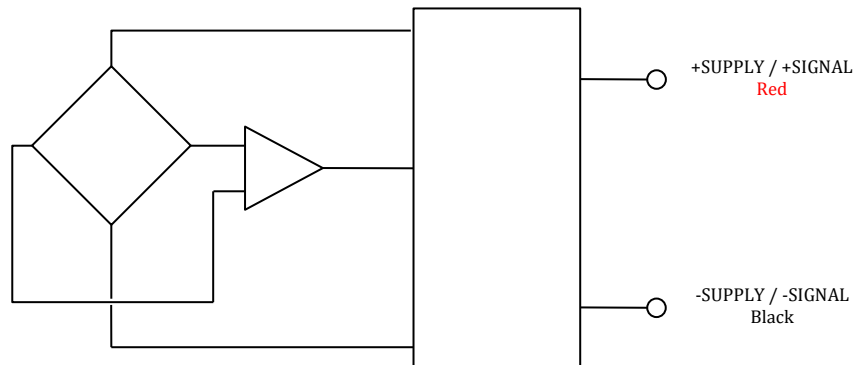
Low level output



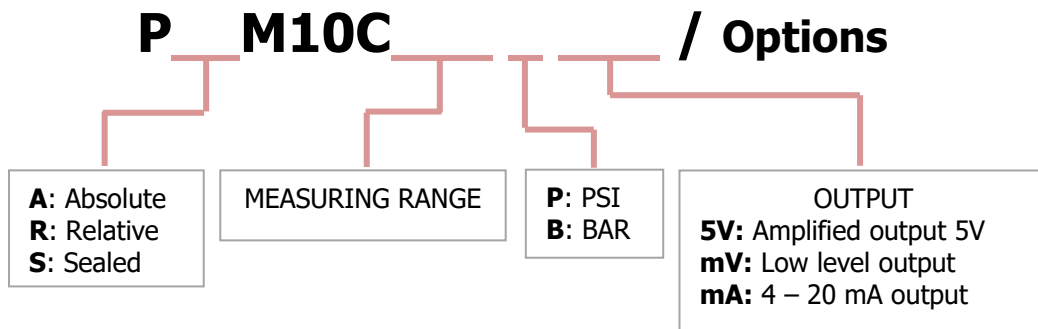
Amplified output



Current output



ORDERING INFORMATION



- Options

OPTION	CODE	FEATURES
Cable Length	LXXM LXXF	Value (in meters M or feet F) 2 meters standard
Compensated Temperature	None C1 C2	0 °C to 60 °C (standard) -20 °C to 60 °C -40 °C to 120 °C (Low level output only) Other consult us
Index of Protection	None P67	IP50 (standard) IP67 (only for absolute and sealed type)

Example: **PAM10C5KP5V/L5MC1P67**

- Absolute
- Pressure Range: 0 - 5000 PSI
- Output: 0-5V
- 5m cable output
- Compensated temperature: -20°C to 60°C
- Index of protection: IP67

CONTACT

MESUREX

13 Rue des Corroyés

78730 Saint Arnoult en Yvelines (France)

Tel : +33 (0) 1 30 41 23 62

Fax : +33 (0) 1 30 41 23 80

Mail : measurex@measurex.fr