

PB Series

Miniature absolute or relative pressure sensor

Ref : 201

Rev : G



DESCRIPTION

These miniature pressure sensors are designed for static or dynamic pressure measurements, in corrosive conditions. Entirely made of stainless steel and duplex in a fully welded design, these levelling membrane sensors are compatible with a great number of corrosive or conducting fluids. Integrated electronics make it possible to deliver an analogical tension signal.

MEASURING RANGES

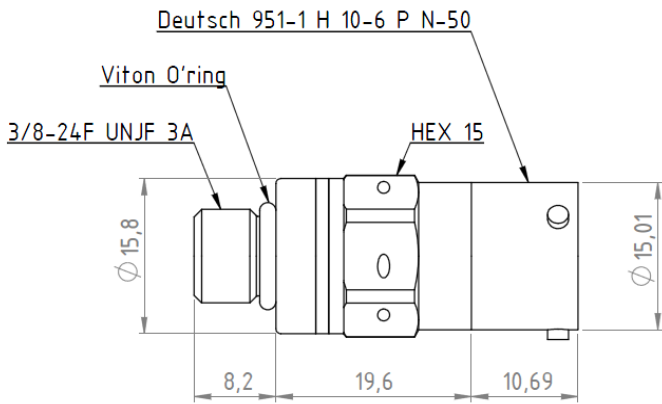
PRESSURE RANGE (FS in PSI)	PRESSURE RANGE (FS in BAR)	ZERO OFFSET AT 20°C	FULL SCALE OUTPUT	Linearity & Hysteresis (%FS)	THERMAL ZERO SHIFT/60°C	THERMAL SENSITIVITY SHIFT/60°C
20	1.4	0 ± 50 mV	5 Vdc ± 50 mV	±0.25%	< ±1% FS	< ± 1%
50	3.5	0 ± 50 mV	5 Vdc ± 50 mV	±0.25%	< ±1% FS	< ± 1%
100	7	0 ± 50 mV	5 Vdc ± 50 mV	±0.25%	< ±1% FS	< ± 1%
300	21	0 ± 50 mV	5 Vdc ± 50 mV	±0.25%	< ±1% FS	< ± 1%
500	35	0 ± 50 mV	5 Vdc ± 50 mV	±0.25%	< ±1% FS	< ± 1%
1000	70	0 ± 50 mV	5 Vdc ± 50 mV	±0.25%	< ±1% FS	< ± 1%
1500	100	0 ± 50 mV	5 Vdc ± 50 mV	±0.25%	< ±1% FS	< ± 1%
2000	140	0 ± 50 mV	5 Vdc ± 50 mV	±0.25%	< ±1% FS	< ± 1%
3000	200	0 ± 50 mV	5 Vdc ± 50 mV	±0.25%	< ±1% FS	< ± 1%
5000	350	0 ± 50 mV	5 Vdc ± 50 mV	±0.25%	< ±1% FS	< ± 1%
10000	700	0 ± 50 mV	5 Vdc ± 50 mV	±0.25%	< ±1% FS	< ± 1%

TECHNICAL CHARACTERISTICS

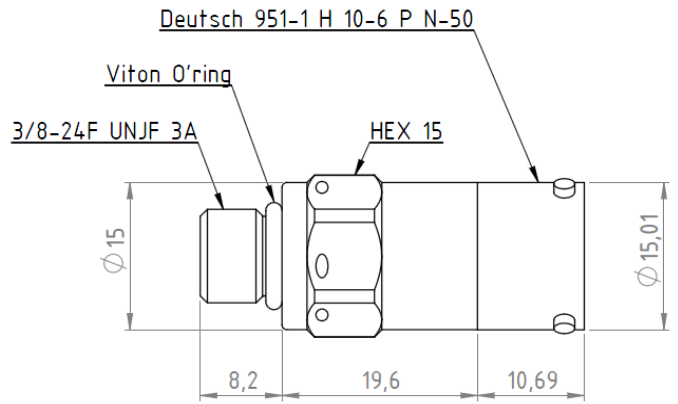
PARAMETERS	VALUES	NOTES
Supply voltage	28 Vdc ± 8Vdc	
Pressure type	From 20 Psi to 500 Psi From 1K Psi to 5K Psi	Absolute, Relative Absolute, Sealed
Max overpressure	2x FS	
Burst pressure	3x FS or 20,000 PSI, whichever is less	
Electrical input	< 10 mA	
Output resistance	400 Ω nom	
Insulation	> 100MΩ	At 50 Vdc
Operating temperature	-55°C to +125°C	
Compensated Temperature	0° to 60°C	See options for other CT
Repeatability	±0.2% FS	
Mechanical connection	3/8 - 24f UNJF - 3A	
Connector output	Deutsch 951-1 H 10-6 P N-50 per MIL-C-26482	
Cable output	Shielded cable	4 Teflon wire (AWG 26). 3m standard Other length in option
Seal	Viton O-ring	See options for other seal
Material	DUPLEX + 316LS	See options for material
Mechanical characteristics	Fully welded stainless steel design	
Bandwidth (-3dB)	4.5 kHz	
Index of protection	IP 65	Option IP 67
Other options	Consult technician	

DIMENSIONS

P-B—P5V (From 20P to 500P)

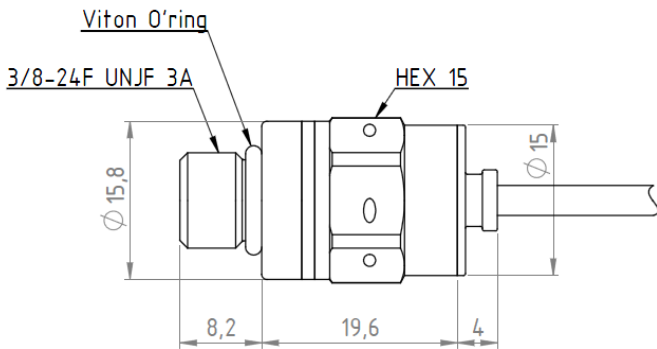


P-B—P5V (From 1KP to 10KP)

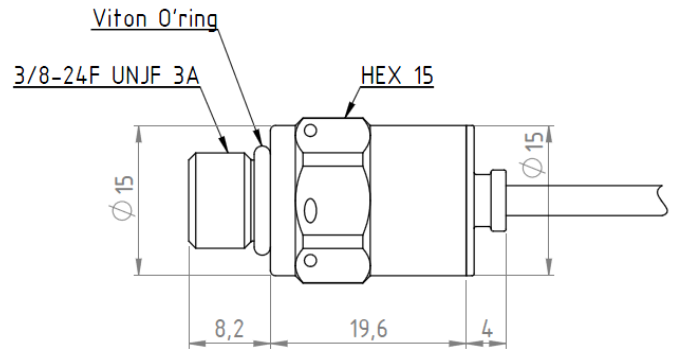


Installation torque: 4Nm max

P-BC—P5V (From 20P to 500P)



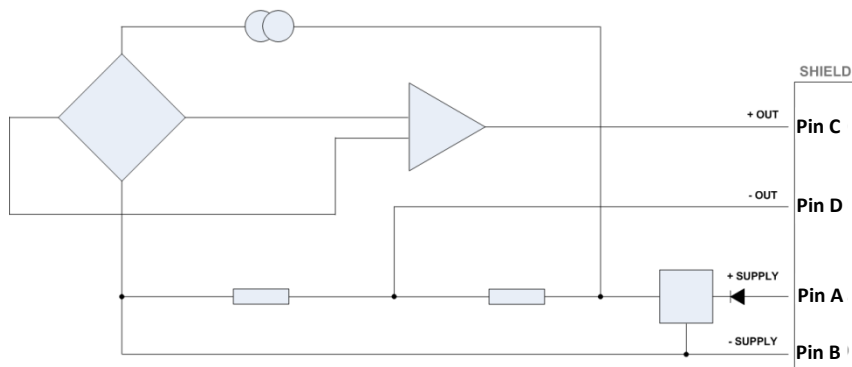
P-BC—P5V (From 1KP to 10KP)



Installation torque: 4Nm max

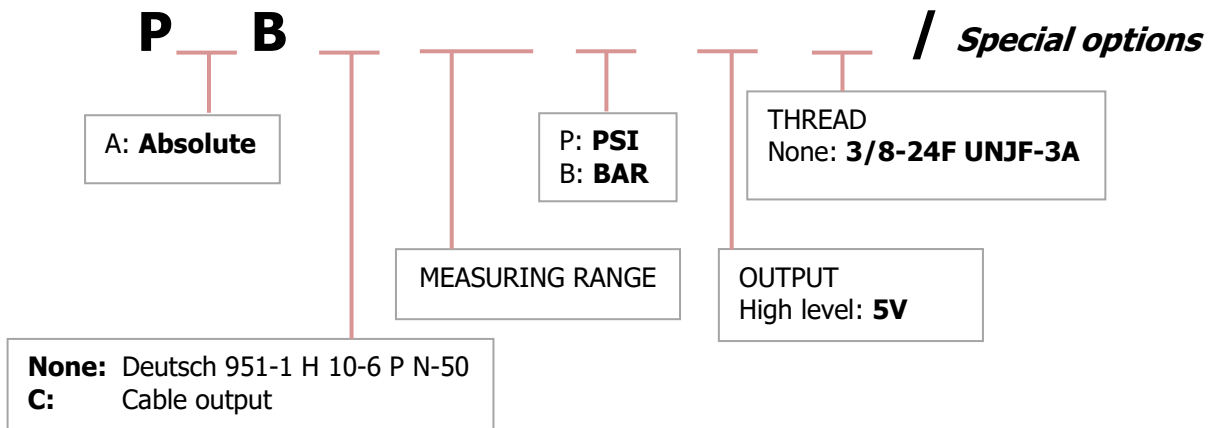
WIRING

P-B—P5V



Note: +2 V nom, common mode output voltage referred to – SUPPLY

ORDERING INFORMATION



• Special options

OPTION	REFERENCE	FEATURES
Cable Length (3m standard)	LXXM LXXF	xx = Length in meters (M) xx = Length in feet (F)
Temperature Compensation Range	None C1	0°C to 60°C (standard) -40°C to 60°C
Material	None SS	DUPLEX body + 316L MEMS and Connector(standard) 316L
Sealing	None BS	Viton O'ring BS ring Hutchinson (ref 206261)
Index of protection	None 67	IP 65 (Standard) IP 67

Example:

PAB2KP5V

- Absolute
- Deutsch 951-1 H 10-6 P N-50
- 2000 PSI
- Output : 0-5V
- Thread : 3/8

PABC2KP5V

- Absolute
- Cable output
- 2000 PSI
- Output : 0-5V
- Thread : 3/8

CONTACT

MESUREX

13 Rue des Corroyés
78730 Saint Arnoult en Yvelines (France)

Tel : +33 (0) 1 30 41 23 62

Mail : measurex@measurex.fr

Web : www.measurex.fr