

PXC Series

Miniature Pressure Sensor

Ref : 103

Rev : F



DESCRIPTION

These miniature pressure sensors are designed to make statistic measurements of pressure as well as dynamic in corrosive condition. Realized entirely with stainless steel, these levelling membrane sensors are compatible with a great number of corrosive or conducting fluids. An integrated electronics makes it possible to deliver an analogical tension signal.

MESUREX is a sensor manufacturer. We can adapt most sensors to your needs. Please [contact us](#).

MEASURING RANGES

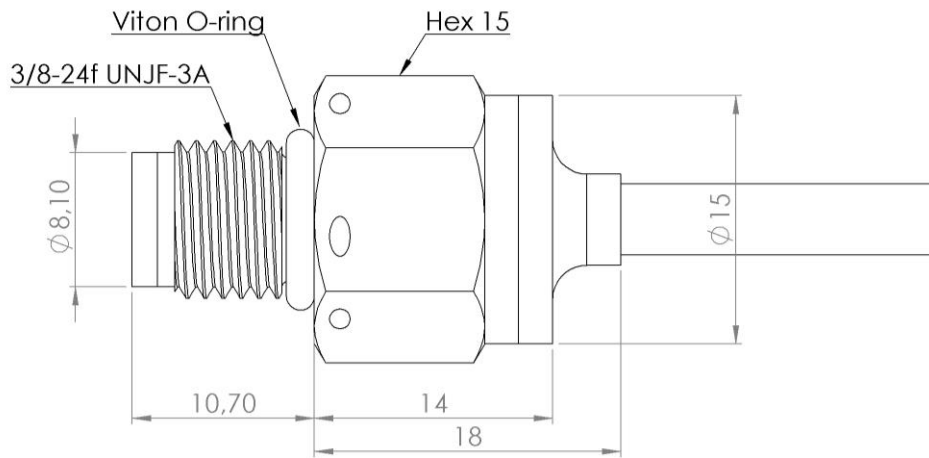
PRESSURE RANGE (FS in PSI)	PRESSURE RANGE (FS in BAR)	MAX OVER PRESSURE	ZERO OFFSET AT 20°C	OUTPUT FS	LINEARITY & HYSTERESIS	THERMAL ZERO SHIFT / 60°C	THERMAL SENSITIVITY SHIFT / 60°C
1 000	70	1.5x FS	200 ±100 mV	4.9Vdc ±100 mV	± 0.5% FS	< ±1% FSO	< ±1%
1 500	100	1.5x FS	200 ±100 mV	4.9Vdc ±100 mV	± 0.5% FS	< ±1% FSO	< ±1%
2 000	140	1.5x FS	200 ±100 mV	4.9Vdc ±100 mV	± 0.5% FS	< ±1% FSO	< ±1%
3 000	200	1.5x FS	200 ±100 mV	4.9Vdc ±100 mV	± 0.5% FS	< ±1% FSO	< ±1%
5 000	350	1.5x FS	200 ±100 mV	4.9Vdc ±100 mV	± 0.5% FS	< ±1% FSO	< ±1%
7 500	520	1.5x FS	200 ±100 mV	4.9Vdc ±100 mV	± 0.75% FS	< ±1% FSO	< ±1%
10 000	690	1.5x FS	200 ±100 mV	4.9Vdc ±100 mV	± 0.75% FS	< ±1% FSO	< ±1%
15 000	1035	1.5x FS	200 ±100 mV	4.9Vdc ±100 mV	± 0.75% FS	< ±1% FSO	< ±1%

TECHNICAL CHARACTERISTICS

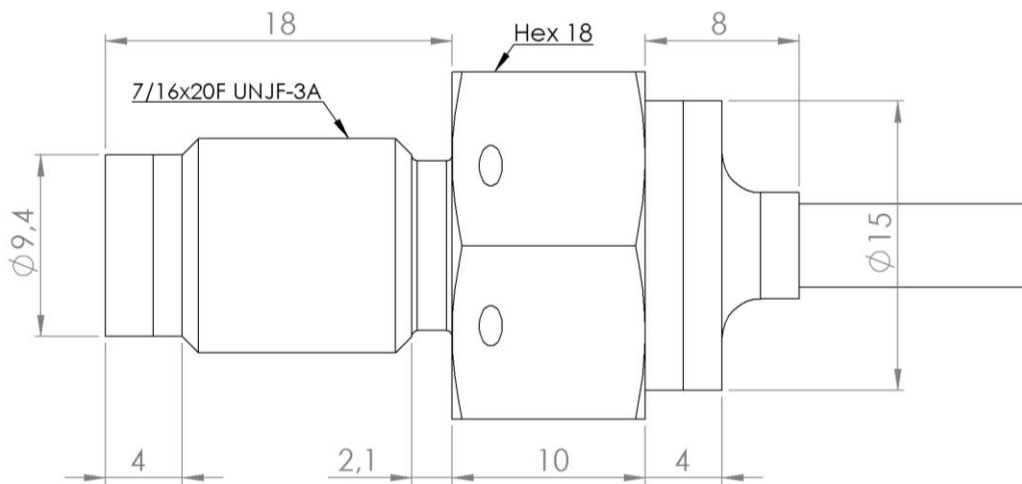
PARAMETERS	VALUES	NOTES
Repeatability	± 0.2% of FS	
Operating temperature	-40°C to +125°C	
Compensated temperature	-40°C to +60°C	
Supply	13/32Vdc	
Electrical input	< 20 mA	
Electrical output	1 kΩ nom.	
Insulation	> 1000MΩ / 50Vdc	
Cable	Shielded cable	4 Teflon wire (AWG 26). 2m standard
Bandwidth	4.5 kHz	-3dB
Mechanical connection	3/8-24f UNJF-3A	7/16-20f UNJF-3A (15KP)
Seal	Viton O-ring	7.65x1.63 65 Shore
	BS Ring	BECA 114 HNBR 90SH 7/16 009 (for 15KP range)
Index of protection	IP 65	Option IP 67
Special options		Consult technician

SIZE

P-XCC—P5V



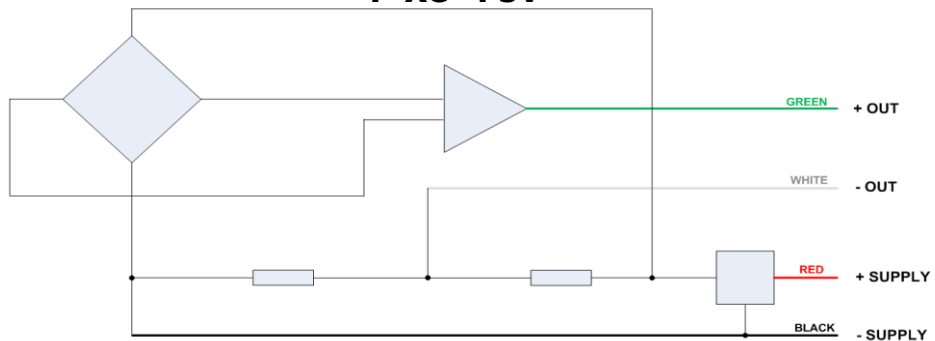
Mounting torque: 4 Nm



Mounting torque : 15Nm (20Nm max)

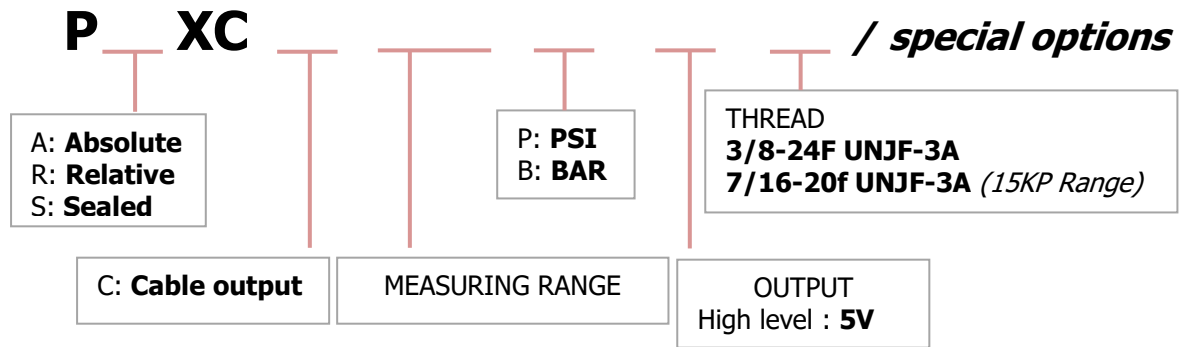
WIRING

P-XC—P5V



Note: + 3 V nom. common mode output voltage referred to -Exc

ORDERING INFORMATION



• **Special options**

OPTION	REFERENCE	FEATURES
Cable Length		<i>value</i> = Length in meters (M) or feet (F)
Sealing		Viton O-ring 7.65x1.63 65 Shore BS ring BECA ref: 1141E009
Offset	/I	Improved zero offset at 20°C : 50mV ± 50mV

Example: **PRXCC7.5KP5V/I**

- Relative
- Cable output
- 7500 PSI
- Output : 0-5V
- Thread : 3/8
- Improved offset option

PAXCC15KP5V

- Absolute
- Cable output
- 15000 PSI
- Output : 0-5V
- Thread : 7/16

CONTACT

MESUREX
13 Rue des Corroyés
78730 Saint Arnoult en Yvelines (France)

Tel : +33 (0) 1 30 41 23 62
Mail : mesurex@mesurex.fr
Web : www.mesurex.fr