

PD2 Series

Relative and differential pressure transmitter
0 ... 0.1 - 25 bar

Ref : FP 2555
Rev : A



DESCRIPTION

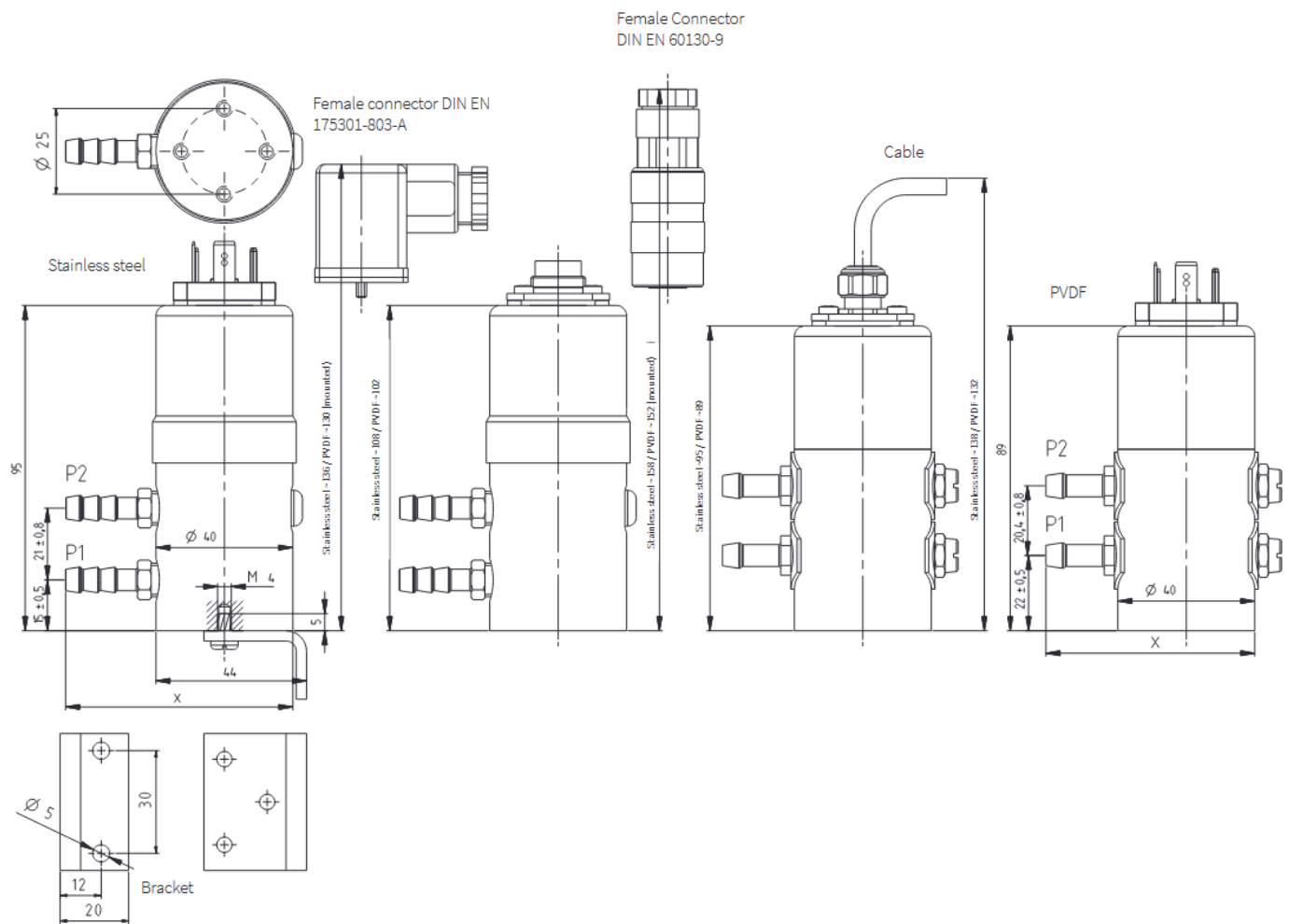
This compact transmitter is based on ceramic technology. According to the client's needs, various pressure and electrical connections, and standardized output signals can be provided. This transmitter also has very low temperature sensitivity and high resistance to extreme temperatures. The modular system and choice of materials suits all individual application. The broad variety of options make the PD2 transmitter series ideal for applications in many different industries.

TECHNICAL CHARACTERISTICS

MODEL

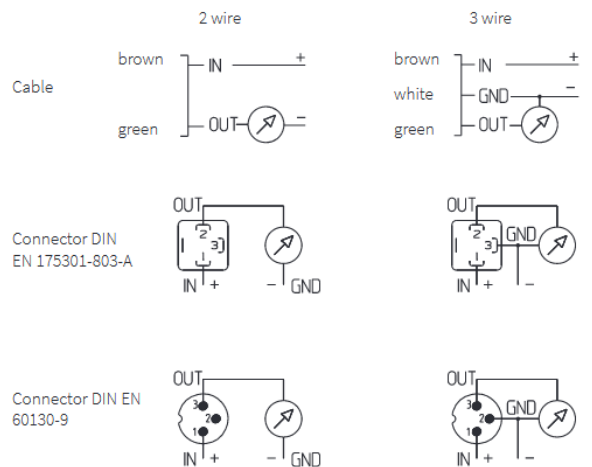
INPUT					
Pressure range (BAR)	0 – 0,1 0 – 0,2 / 0,25 / 0,3 / 0,4 / 0,5 / 0,6 / 1 / 1,6 / 2,5 / 4 / 6 / 10 / 16 / 25				
Pressure type	Relative and differential				
Rupture pressure	1.5 x system pressure				
Medium	Liquids and neutral gases				
Current consumption	< 20 mA	< 5 mA	< 5 mA	< 5 mA	
Power supply	11 ... 13 VDC	11 ... 13 VDC	18 ... 33 VDC	5 VDC ±5%	
OUTPUT					
Output	4 ... 20 mA	0 ... 5V	0 ... 10 V	10 V	
Load	< $\frac{\text{supply voltage}-11V}{0.02 A \Omega}$ [Ohm]	>10 kOhm	>10 kOhm	>10 kOhm	
Load cycle	< 50 Hz				
ENVIRONMENT					
Temperature medium/ambient	-15°C à +85 °C				
Temperature storage	-40°C à +85 °C				
CONNECTIONS					
Pressure connection	Outside thread	7/16 -20 UNF G 1/8			
	Inside thread	1/8-27 NPT G 1/8			
	Pressure tube tip	Ø 4 mm Ø 6 mm			
	Pipe fitting	Ø 6 mm Ø 8 mm			
Electrical connections	Connector	DIN EN 175301-803-A DIN EN 60130-9			
	Cable 1.5m (PG7)				

DIMENSIONS (in mm)



ELECTRIC CONNECTIONS

	Stainless steel	Screw fitting for pipe outside $\varnothing 6$	L~24	a=10
	1.4305 AISI 303	Screw fitting for pipe outside $\varnothing 8$	X~65	b=12
	Stainless Steel	Inside thread G $\frac{1}{8}$	L~12	a=14
	1.4305 AISI 303		X~53	
	CuZn nickel plated	Screw fitting for pipe outside $\varnothing 6$	L~24	a=10
		Screw fitting for pipe outside $\varnothing 8$	X~65	b=12
	CuZn nickel plated	Screw fitting for pipe outside $\varnothing 6$	L~25	a=12
		Screw fitting for pipe outside $\varnothing 8$	X~66	b=14
	CuZn nickel plated Stainless steel	Hose connection for tube $\varnothing 4$	L~20	a=10
		1.4571 AISI 316Ti	Hose connection for tube $\varnothing 6$	L~25
	CuZn nickel plated	Outside thread G $\frac{1}{8}$	L~20	a=10
				X~61
	CuZn nickel plated	Outside thread $\frac{7}{16}$ -20 UNF	L~18	a=14
				X~59
	PVDF	Screw fitting for pipe $\varnothing 6$	L~20	a=12
		Screw fitting for pipe $\varnothing 8$	X~61	a=14
	PVDF	Screw fitting for pipe $\varnothing 6$	L~23	a=14
		Screw fitting for pipe $\varnothing 8$	X~64	
	PVDF	Hose connection for tube $\varnothing 6$	L~20	a=10
				X~61



CONTACT

MESUREX
 13 Rue des Corroyés
 78730 Saint Arnoult en Yvelines (France)

Tel : +33 (0) 1 30 41 23 62
 Mail : mesurex@mesurex.fr
 Web : www.mesurex.fr