

DG series

Thermowells / immersion sleeve for thermocouple or PT100

Ref : 4034

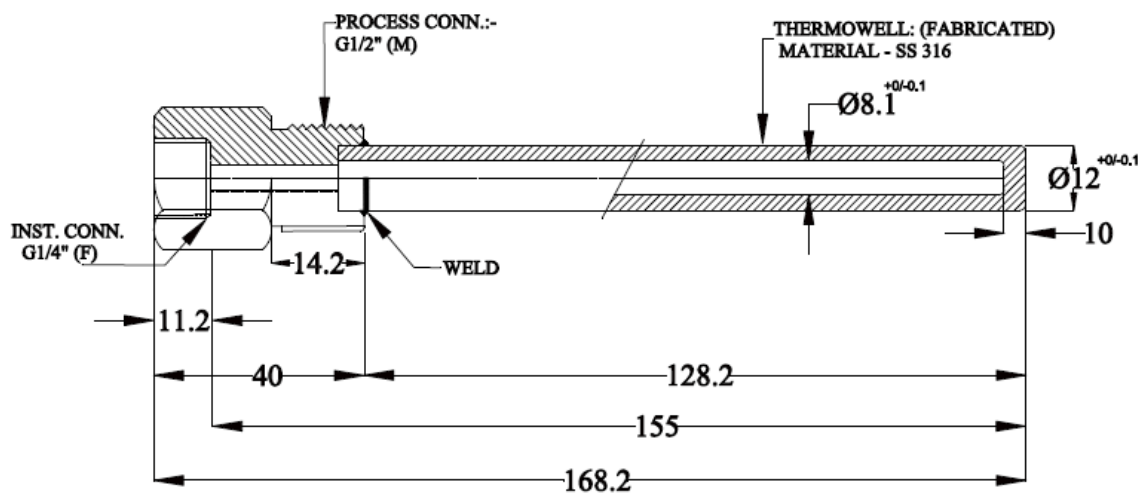
Rev : A

DESCRIPTION

This document describes all the versions with the specific codes used at MESUREX. Standard version in stock.

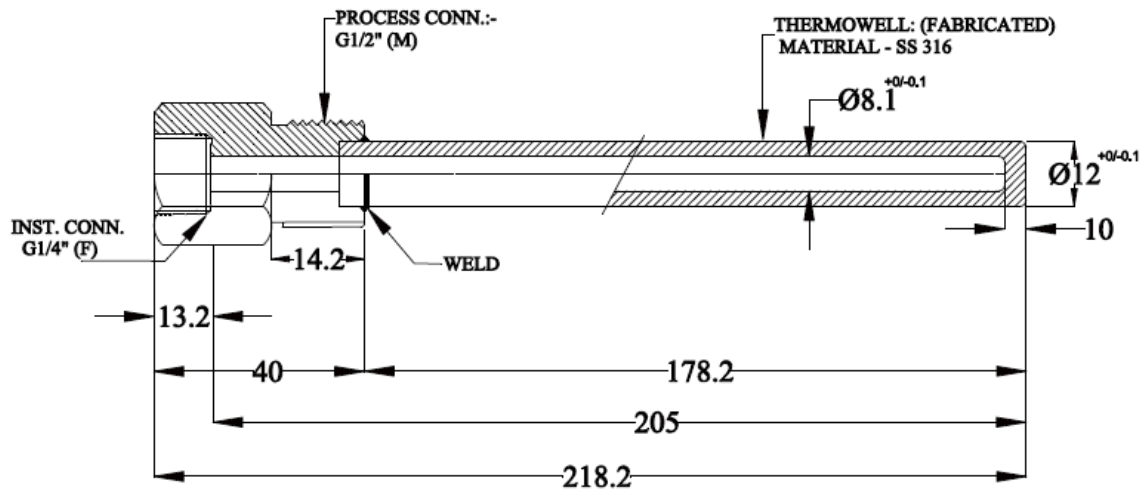
PARAMETERS	VALUES
Mesurex reference	DG8M/F1/21/4150
Type	For probe 150mm long, $\varnothing 6 / \varnothing 8$
Connection	G1/4 female – G1/2 male
Sheath construction material	Stainless 316

DRAWING



PARAMETERS	VALUES
Mesurex reference	DG8M/F1/21/4200
Type	For probe 200mm long, Ø6 / Ø8
Connection	G1/4 female – G1/2 male
Sheath construction material	Stainless 316

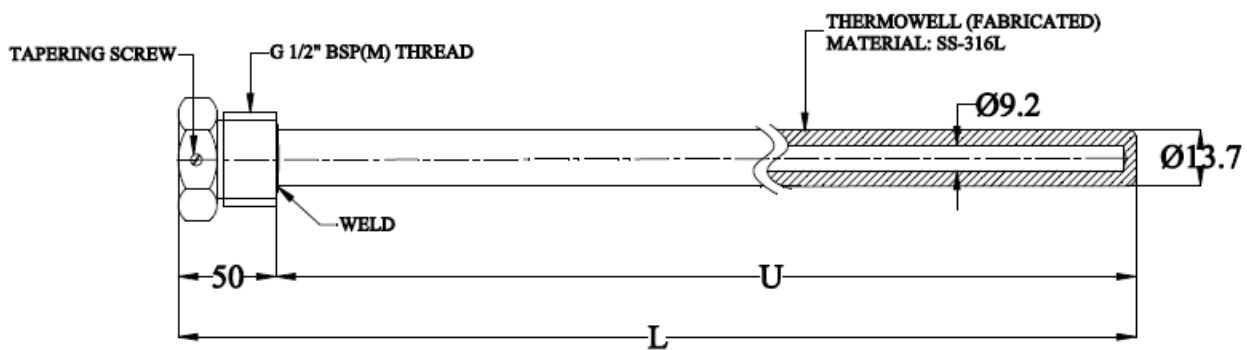
DRAWING



PARAMETERS	VALUES
Mesurex reference	DG8M1/2VIS150
Type	For probe 150mm long, Ø6 / Ø8
Connection	G1/2 male with lateral locking screw
Sheath construction material	Stainless 316
U	150 mm
L	200 mm

PARAMETERS	VALUES
Mesurex reference	DG8M1/2VIS300
Type	For probe 300mm long, Ø6 / Ø8
Connection	G1/2 male with lateral locking screw
Sheath construction material	Stainless 316
U	300 mm
L	350 mm

DRAWING



CONTACT

MESUREX

13 Rue des Corroyés
78730 Saint Arnoult en Yvelines (France)

Tel : +33 (0) 1 30 41 23 62

Mail : mesurex@mesurex.fr

Web : www.mesurex.fr