

INDUSTRIAL ACCELEROMETER

Single axis, with or without amplification

Ref: 2367

Rev:



DESCRIPTION

This type of accelerometer is designed for industrial and capable of measuring low ranges. An aluminum housing facilitates mounting and its implementation for many applications. An integrated amplifier reduces the instrumentation associated with the operation of the sensor.

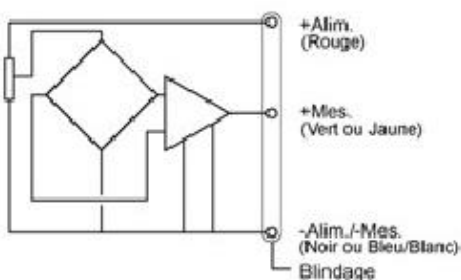
MESUREX is a sensor manufacturer. We can adapt most sensors to your needs. Please [contact us](#).

TECHNICAL CHARACTERISTICS

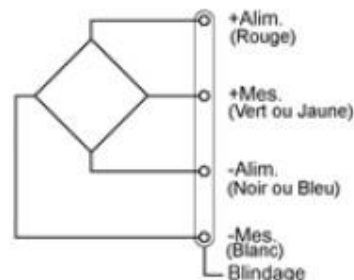
PARAMETERS	VERSION WITHOUT AMPLIFICATION	VERSION WITH AMPLIFICATION
Measuring range	+/-2g to +/-500g	
Linearity	+/- 2% FS Option +/-1%	
Transverse sensitivity	<3% FS	
Compensated temperature range	-20°C to 80°C	
Thermal zero shift	<2% FS / 60°C	
Thermal sensitivity shift	<2% of reading / 60°C	
Supply voltage	10 Vcc	10 to 30 Vcc
Sensitivity of E.M	+/-20 à +/-100 mV (+/-2g)	+/-2V (+/- 250 mV) (+/-2g)
Residual unbalance	< +/-10mV	2.5V (+/-250mV)
Input impedance / consumption	10kΩ	<30 mA
Output impedance	<5kΩ	<90 Ω
Insulation 50 Vcc	>100MΩ	
Electrical output	2-meter-long shielded cable, standard	
Weight	<25 grams (without cable)	

WIRING DIAGRAM

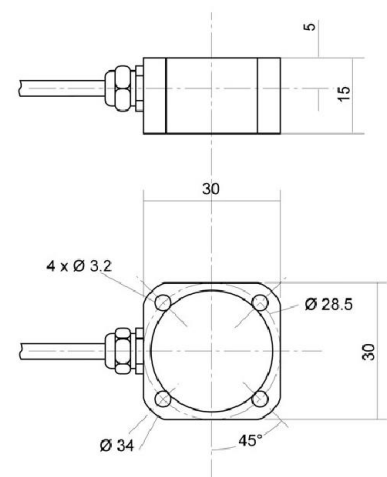
with amplifier



without amplifier



SENSOR OBSTRUCTION



CONTACT

MESUREX

13 Rue des Corroyés
78730 Saint Arnoult en Yvelines (France)

Tel : +33 (0) 1 30 41 23 62

Mail : mesurex@mesurex.fr

Web : www.mesurex.fr