

FO Series

Low-range force transducer

Ref : 2649

Rev : B



DESCRIPTION

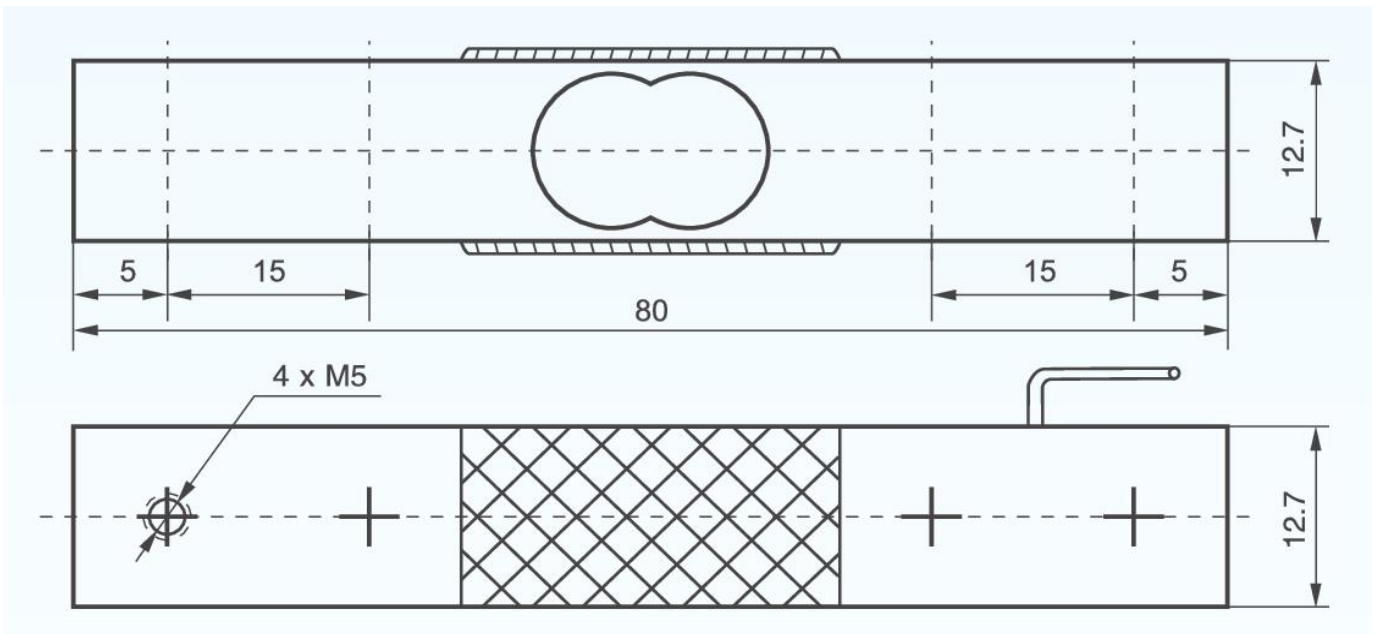
This load cell sensor is made to be used in various applications such as weighing in shops or on portable systems. It will indicate the correct output value over its entire surface, wherever the force is applied to the sensor surface.

MESUREX is a sensor manufacturer. We can adapt most sensors to your needs. Please [contact us](#).

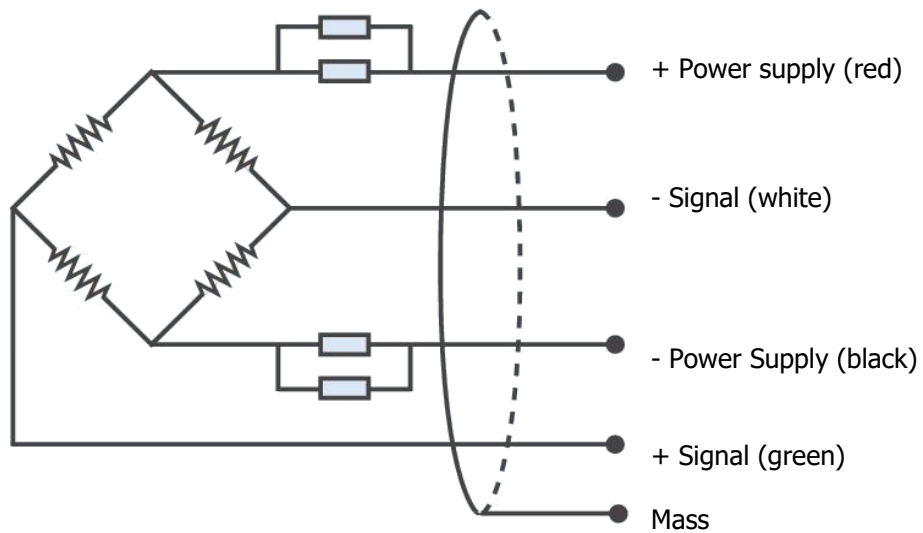
TECHNICAL CHARACTERISTICS

Parameters	unit	Specifications
Capacity	kg	0.3, 0.5, 0.7, 1, 3, 5, 7, 10, 30, 50, 70
Safe overload	%FSO	150
Ultimate overload	% FSO	300
Output sensitivity	mV/V	1.0 ± 0.1
Offset	%FSO to 0	± 5
Nonlinearity	%FSO	± 0.05
Hysteresis	%FSO	± 0.05
Repeatability	%FSO	± 0.03
Creep error (30 min.)	%FSO	± 0.05
Supply voltage	Vcc	5... 10
Max. supply voltage	Vcc	15
Input resistance	Ω	1060 ± 50 (standard), 410 ± 30
Output resistance	Ω	1000 ± 50 (standard), 350 ± 10
Insulation resistance	M Ω	≥2000@50VDC
Storage temperature	°C	-35 ~ +80
Operating temperature range	°C	-20 ~ +60
Compensated temperature range	°C	-10 ~ +50
Temperature sensitivity coefficient	%FSO/°C	± 0.01
Temperature offset coefficient	%FSO/°C	± 0.01
Construction Materials		aluminium 17-4PH stainless steel
Electrical interface		ø3.8 mm, 4 shielded conductors, PVC insulation
Ingress protection		IP 65
Weight	gr	~ 35

DIMENSIONS



WIRING



CONTACT

MESUREX
 13 Rue des Corroyés
 78730 Saint Arnoult en Yvelines (France)

Tel : +33 (0) 1 30 41 23 62
 Mail : mesurex@mesurex.fr
 Web : www.mesurex.fr