

DS48 Series

Surface sensor (thermocouple, Pt100/Pt1000)

Ref : 2177

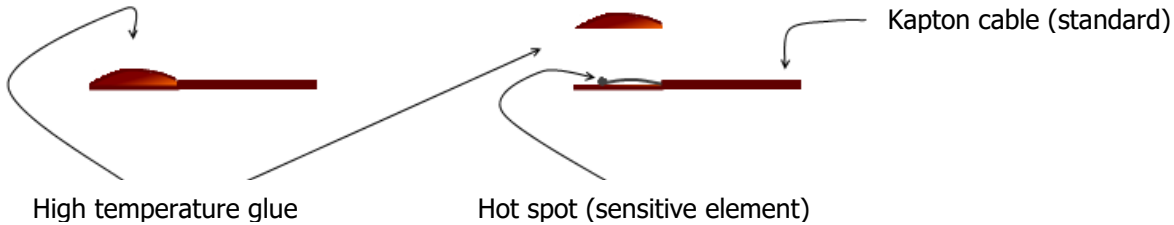
Rev : D



DESCRIPTION

This low-cost sensor model, specially designed for surface temperature measurements, has good mechanical strength. It is characterized by great flexibility; it is reusable and its Kapton design (standard) enables measurements up to 200°C.

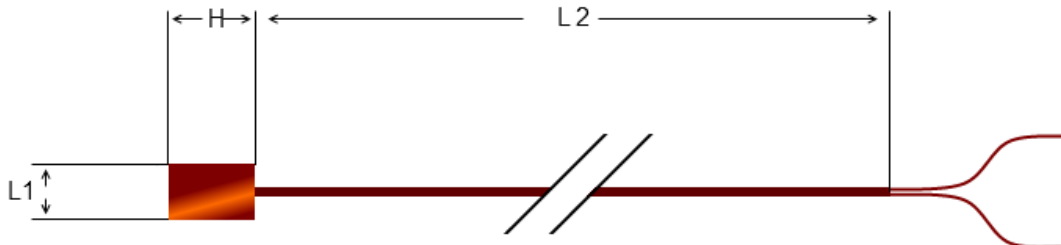
Available with PT100 / PT1000, or for type K or T thermocouple.



TECHNICAL CHARACTERISTICS

	Thermocouple	PT100 / PT1000
Tolerance class	1 according to NF EN 60584-1	AA, A or B class
Temperature resistance	-100 to +200 °C (Type K)	-70 to +200 °C
Accuracy (standard)	+/- 1.5 °C from -40 to +375 °C +/- 0.004 x T° from 375 °C to 1000 °C in K couple	AA: +/- (0.1 + 0.0017 t) A: +/- (0.15 + 0.002 t) B: +/- (0.3 + 0.005 t) According to IEC60751:2008
Mounting	Mechanical fastening by gluing or by Kapton or aluminum adhesive tape	

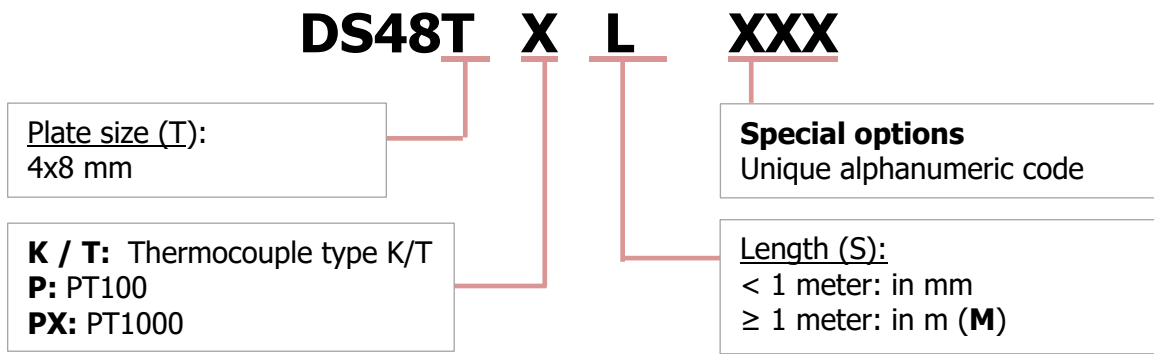
DIMENSIONS



L1 x H: 4 x 8 mm standard (other on request) (thickness 2 mm)

L2: 2m Kapton standard (other on request) with or without connector

ORDER INFORMATION



- **Special options**

OPTION	
Connector Type	None (standard) AA – for Pt100 class AA A – for Pt100 class A B – for Pt100 class B MMK - Miniature male, type K thermocouple MSK - Male standard, type K thermocouple MMT - Miniature male, type T thermocouple MST - Male standard, type T thermocouple

- Example: DS48K5MMMK
- Type K thermocouple surface 4x8mm
 - Flexible over sheathed Kapton
 - Single-stranded conductors
 - Diameter 0.2 mm
 - Length 5 m
 - Exposed hot weld under flexible Kapton wafer
 - Miniature male connector
 - Class 1 according to NF EN 60584-1 standard

CONTACT

MESUREX
 13 Rue des Corroyés
 78730 Saint Arnoult en Yvelines (France)

Tel : +33 (0) 1 30 41 23 62
 Mail : mesurex@mesurex.fr
 Web : www.mesurex.fr